

WRM-11

Wall Pan/Tilt arm

100 lbs (45 kg) max load

VESA 75x75 / 100x100 / 5"x2,75"

The WRM-11 is a heavy-duty speaker wall mount with pan and tilt functionality.

This bracket supports loudspeakers weighing up to 45 kg (100 lbs.) and comes with a design factor of 7:1.

Its speaker & wall mount plate are installed separately and coupled

very easily by just one person.

Tilt adjustments are simply achieved by means of a self-locking mechanism holding the speaker in place, even with all the bolts fully released.

The WRM-11 mount fits all loudspeakers that are foreseen from

a universal mounting patterns (5" x 2,75", 4,25" x 2", VESA 75x75 and 100x100).

The WRM-11 is the way to go in all immersive sound applications given its pan ability of -90° to 90° rotation and +5° to -25° vertical tilt.



SPECIFICATIONS:

| | | |
|---------------------------------|--|------------------------|
| Functions | Pan and Tilt Speaker Wall Mount | |
| Mounting holes | 4x dia 8,2 mm (dia 0.32") (5" x 2,75" pattern) 4x dia 8,2 mm (dia 0.32") (4,25" x 2" pattern) VESA 75x75 VESA 100x100 | |
| Wall mounting plate | 240x100 mm | 9,45" x 3,94" |
| Pan angle | -90° ... 90° | |
| Tilt angle | +5° ... -25° | |
| Load limit | 45 kg | 100 lbs |
| Design factor | 7:1 ratio | |
| Dimensions | 240 x 110 x 115 mm | 9,45" x 4,33" x 4,53" |
| Shipping dimensions | 255 x 125 x 185 mm | 10,04" x 4,92" x 7,28" |
| Net weight | 1,05 kg | 2,31 lbs |
| Shipping weight (2 pcs per box) | 2,40 kg | 5,29 lbs |

COMPABILITY:

| | |
|---------------------------------|---|
| Compatible MAG Cinema speakers: | SUR-63, SUR-83, SUR-103, SUR-123, SUR-153, SUR-153H, SUR-408 |
| Compatible JBL speakers: | 9350, 9300, 9310, 9320 |
| Compatible QSC speakers: | SR-800, SR-8101, SR-1000, SR-8200, SR-1020, SR-1030, SR-1290, SR-1590 |
| Compatible SLS speakers: | CS1090, SC1290S-CM, SC-1290S, 114RT-I-PXO, 8290V2 |
| Compatible Klipsch speakers: | KPT-250, KPT-1201, KPT-1200M, KPT-1260 H, KPT-8001 |
| Compatible Vive Audio speakers: | LS1S, LS2S, LS5S, LA3Si, LA4S |
| Compatible Alcons speakers: | CCS8, CCS8S, CCS12 |

SAFETY INSTRUCTIONS

1. Entrust mounting equipment only to experienced professionals and strictly follow the provided safety instructions. Improperly installed equipment may result in property damage, personal injury and/or liability for the installing contractor.
2. **Always use safety cables!** This will prevent equipment from falling during setup or while exploitation.
3. Always carefully check the mounting surface of the wall. Make sure the wall or ceiling structure allows to hold the weight of the speaker including its bracket.
4. Only use appropriate fastening hardware.
5. Always make sure to securely use and lock all mounting bolts. Loose bolts may become unscrewed over time due to vibration which will then create a safety hazard.

PACKAGE CONTENTS

1. WRM-11 wall mounting - 2 pcs
2. Hex key 5 - 1 pcs
3. Installation manual - 1 pcs

www.mnmounting.com
info@mnmounting.com
2 Merezhna str., Bila Tserkva,
Kyiv region, 09100, Ukraine

EMEA & Asian region:
+32 (0) 472 630212
USA, LATAM, Canada, Australia
& New Zealand region:
+1 (562) 607 7348



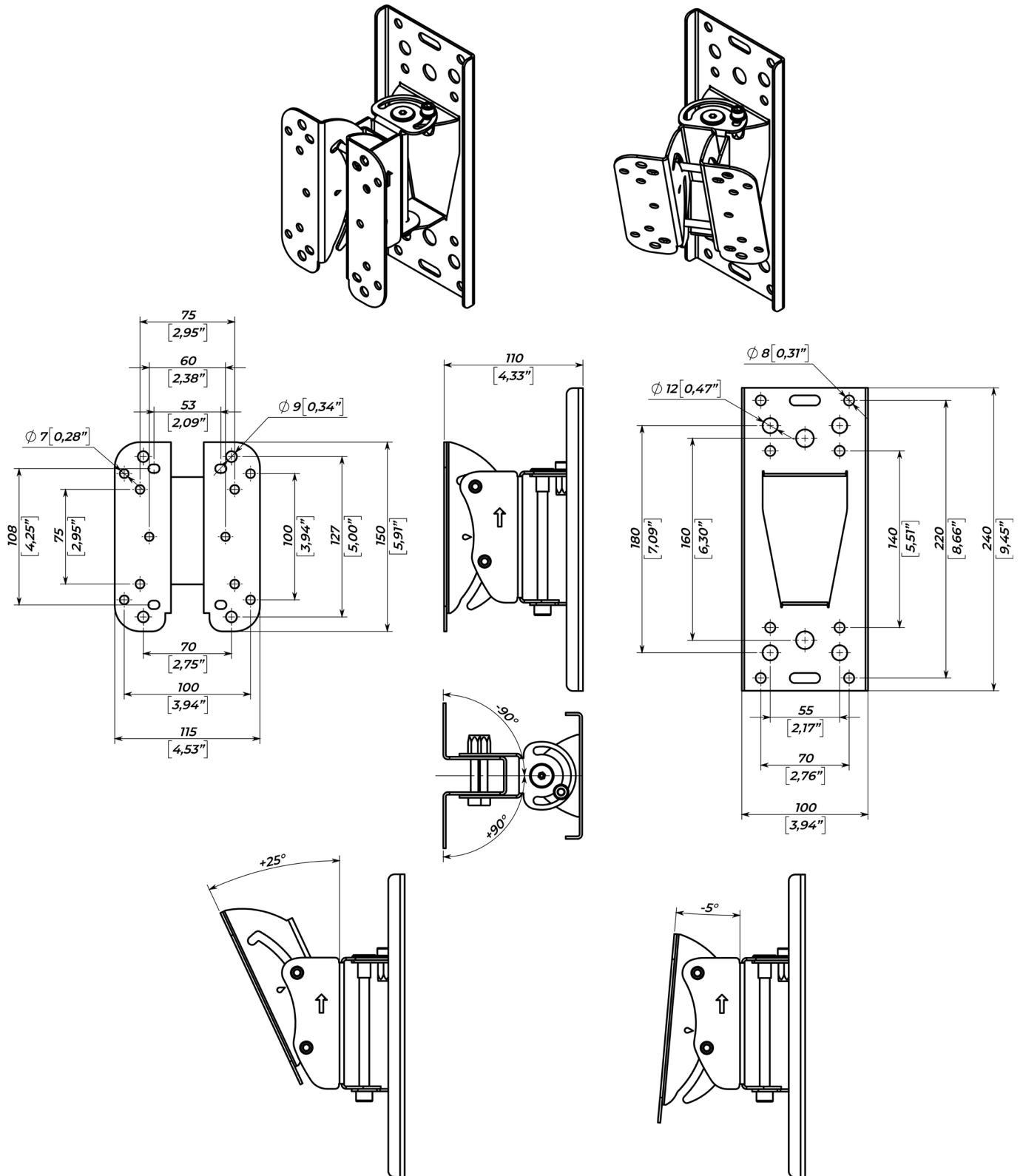
WRM-11

Wall Pan/Tilt arm

100 lbs (45 kg) max load

VESA 75x75 / 100x100 / 5"x2,75"

Dimensions



www.mnmounting.com

info@mnmounting.com

2 Merezhna str., Bila Tserkva,
Kyiv region, 09100, Ukraine

EMEA & Asian region:
+32 (0) 472 630212

USA, LATAM, Canada, Australia
& New Zealand region:
+1 (562) 607 7348

