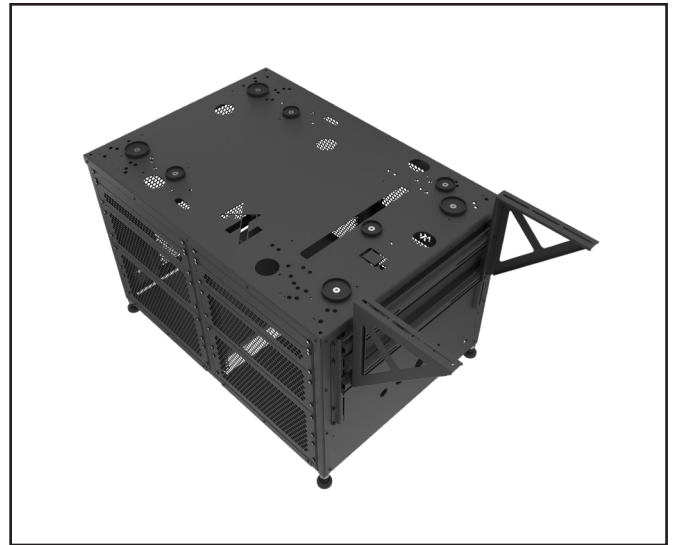


Assembly Guide PAP-3DH

Assembly Guide for the bracket PAP-3DH for the 3D system on different Projector Pedestals



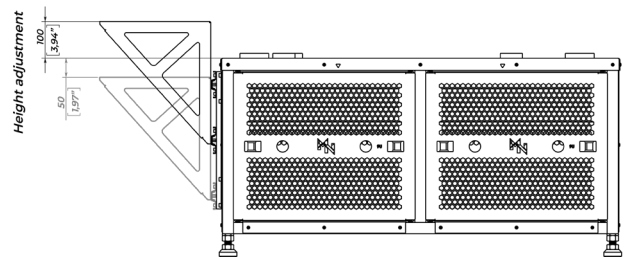
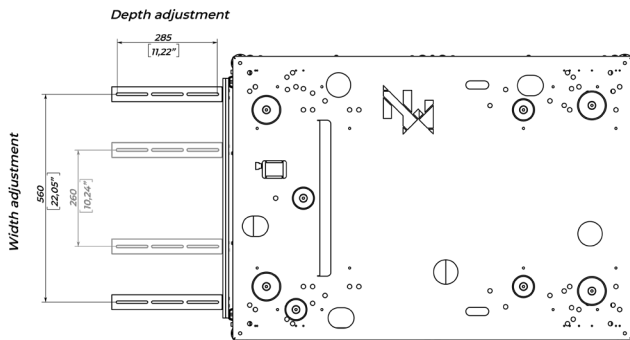
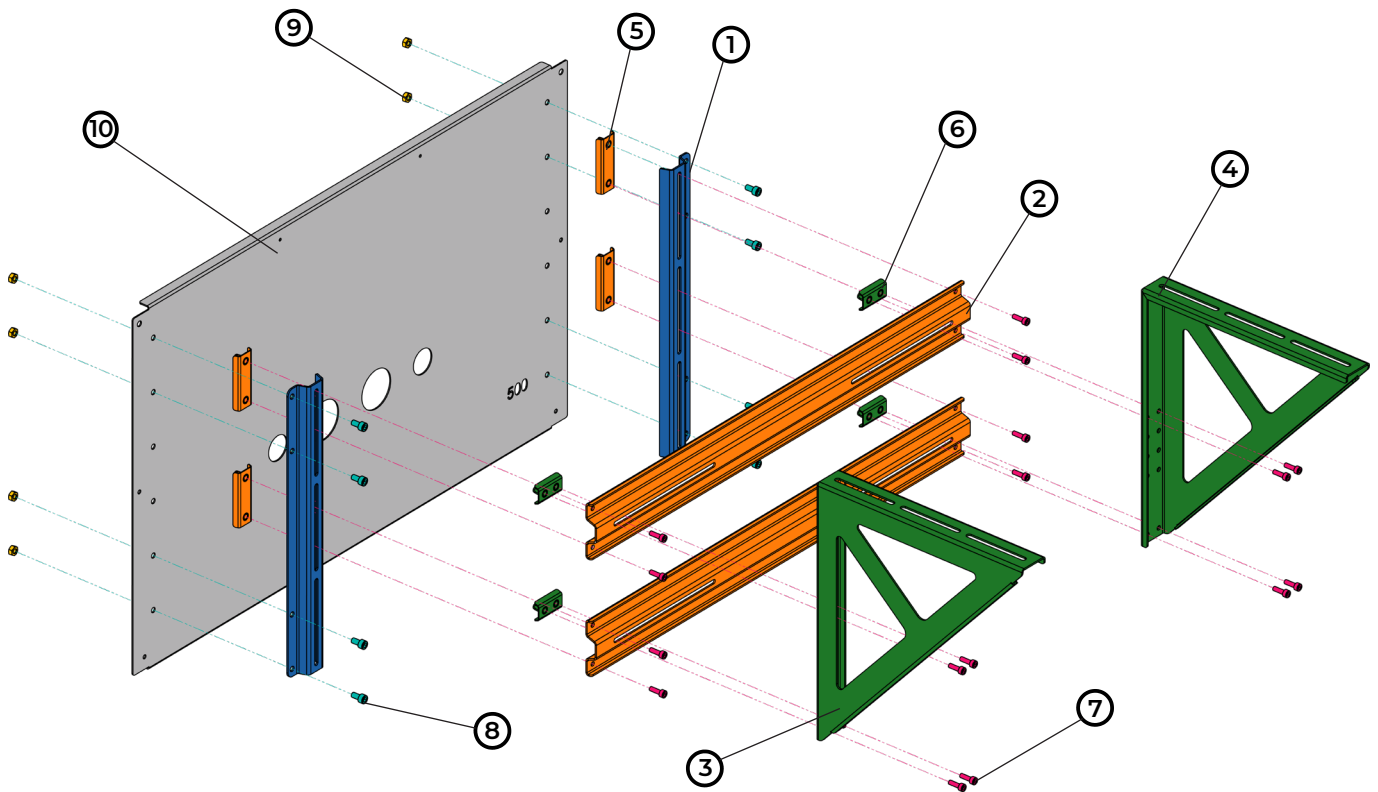
SAFETY INSTRUCTIONS

1. Entrust mounting equipment only to experienced professionals and strictly follow the provided safety instructions. Improperly installed equipment may result in property damage, personal injury and/or liability for the installing contractor.
2. Only use appropriate fastening hardware.
3. Always make sure to securely use and lock all mounting bolts. Loose bolts may become unscrewed over time due to vibration which will then create a safety hazard.

Assembly Guide PAP-3DH

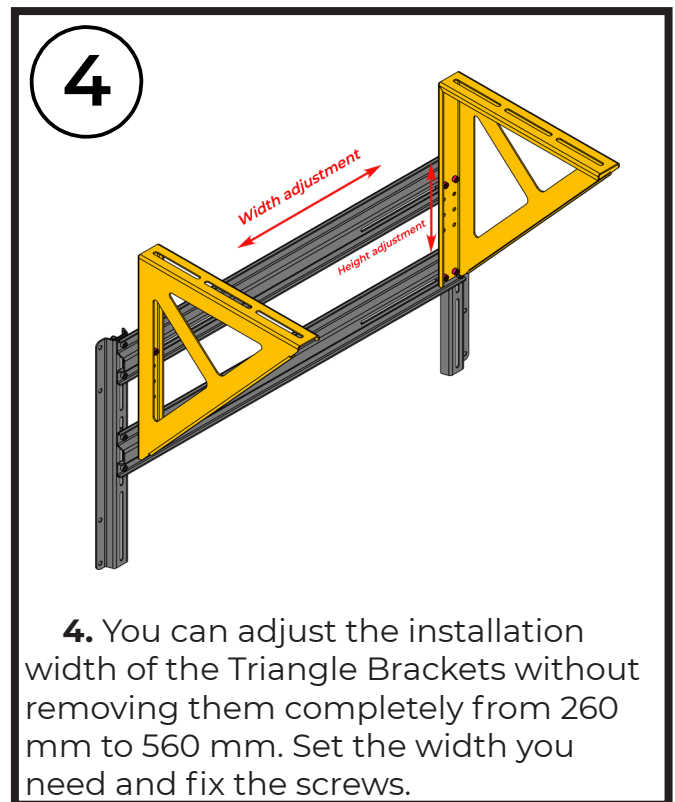
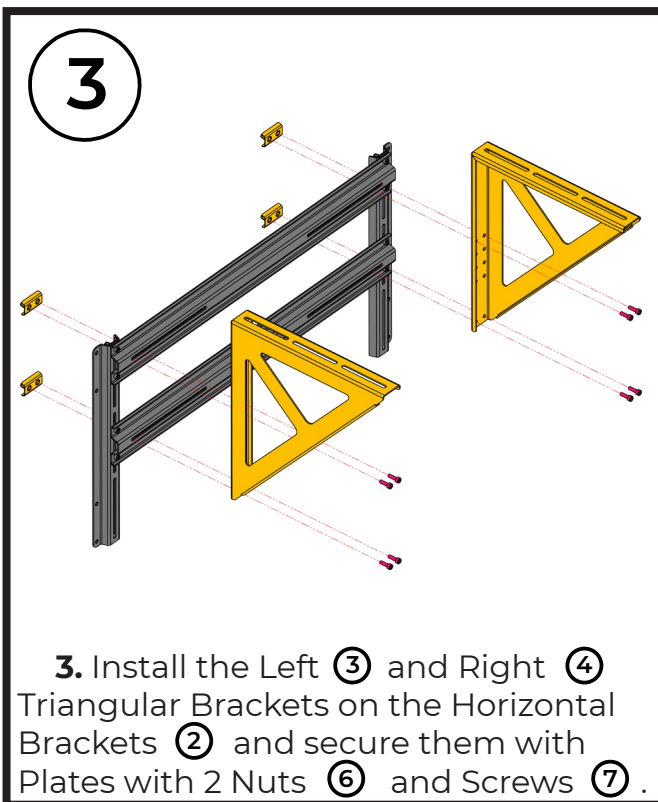
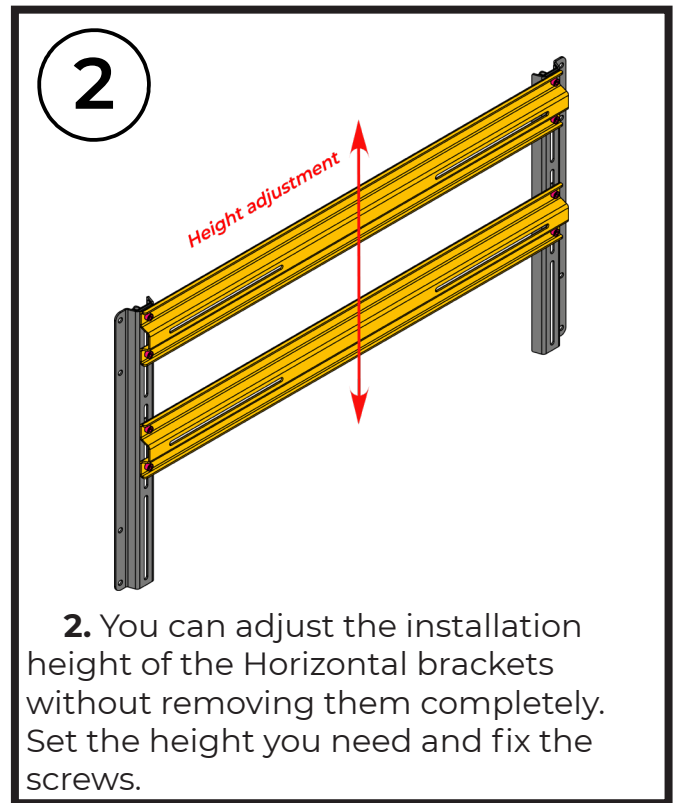
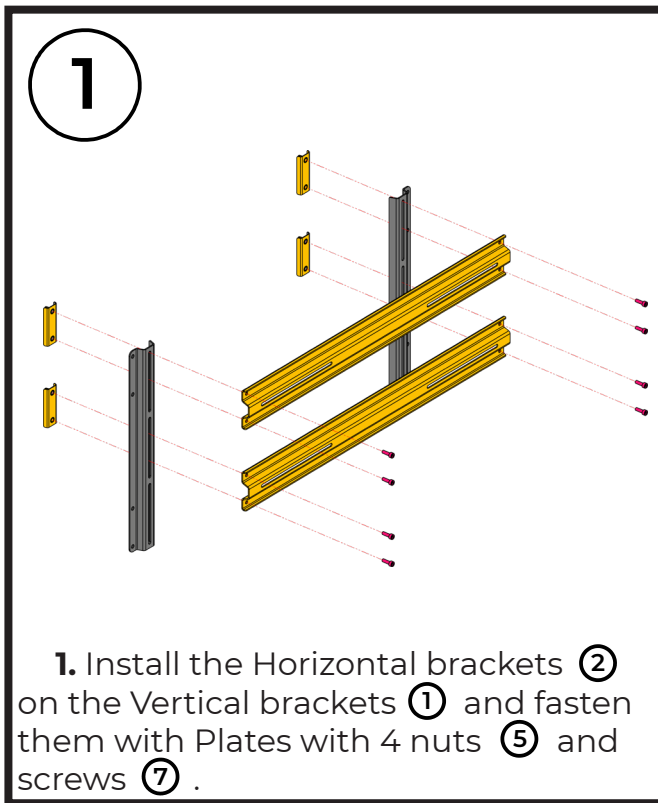
Assembly components:

- ① Vertical bracket - 2 pcs
- ② Horizontal bracket - 2 pcs
- ③ Left triangular bracket - 1 pcs
- ④ Right triangular bracket - 1 pcs
- ⑤ Vertical plate with nuts - 4 pcs
- ⑥ Horizontal plate with nuts - 4 pcs
- ⑦ Screw M5x16 DIN 912 - 16 pcs
- ⑧ Screw M6x12 DIN 912 - 8 pcs
- ⑨ Nut M6 DIN 934 - 8 pcs
- ⑩ Side plate for PAP



Assembly Guide PAP-3DH

Assembly Instructions:



Assembly Guide PAP-3DH

