

Assembly Guide

SRD-800 series

Assembly Guide for Sound Rack

Models:

SRD-800/42U

SRD-800/36U

SRD-800/24U

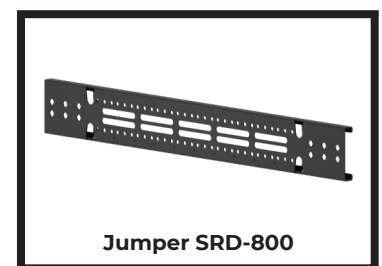
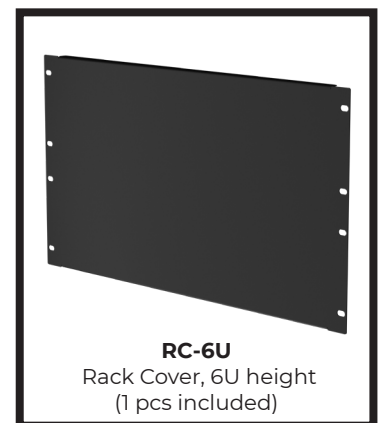
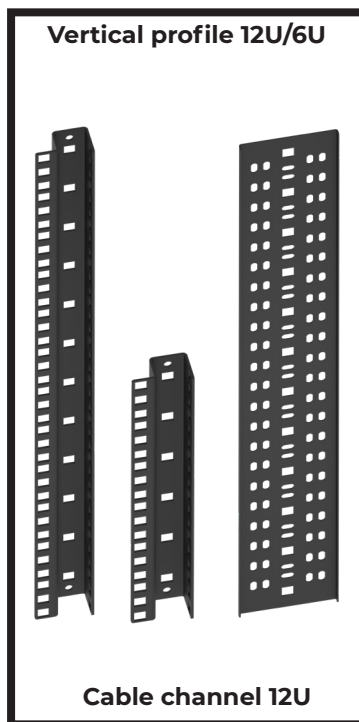
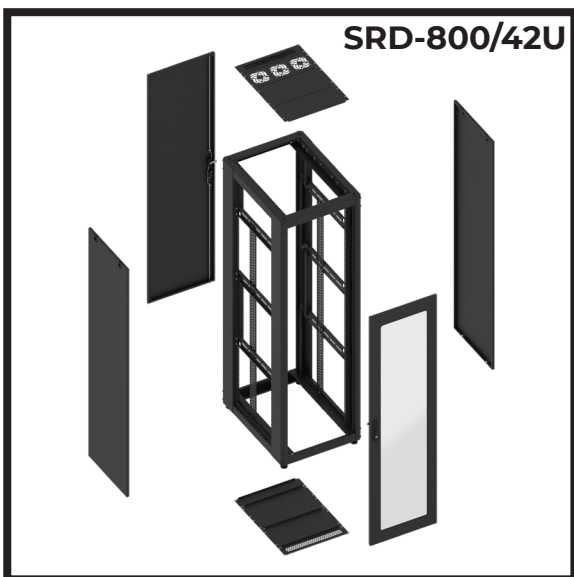
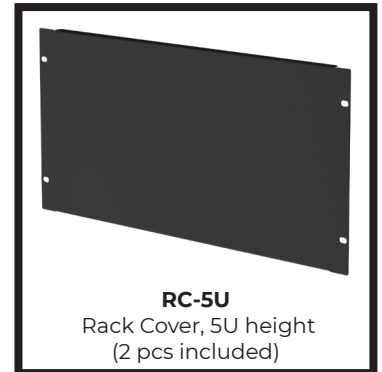
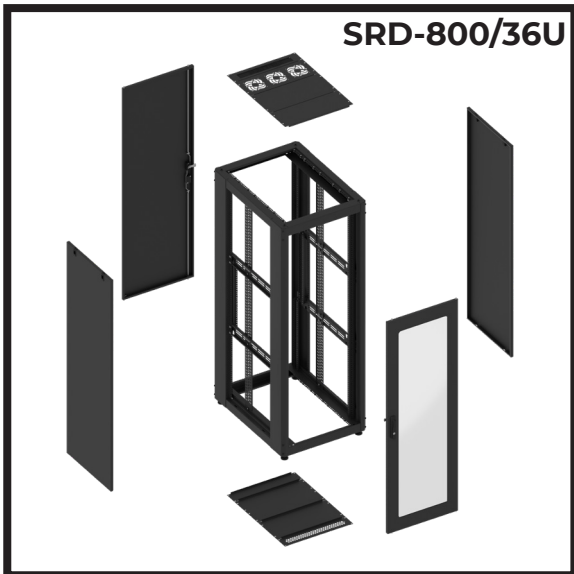
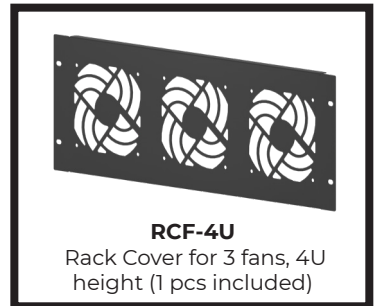
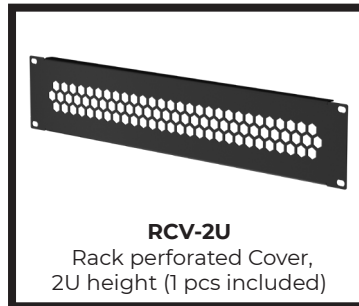
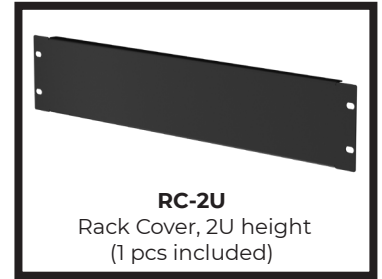
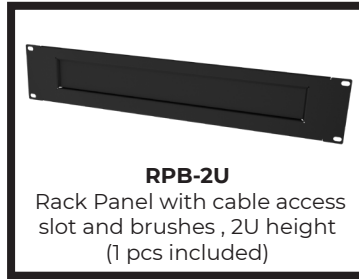
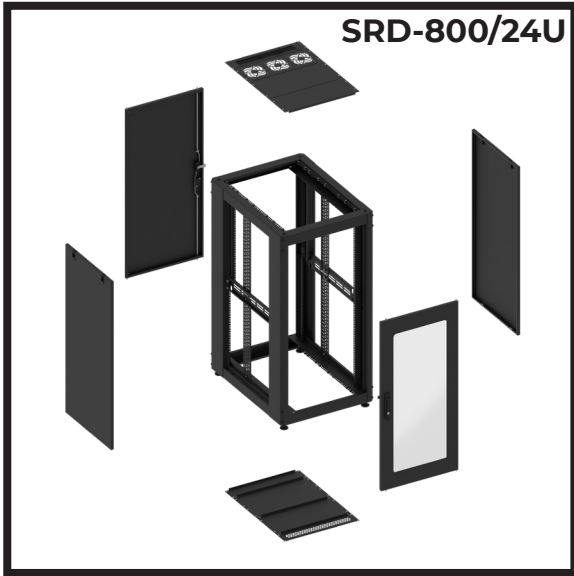


Assembly components:

	SRD-800/24U	SRD-800/36U	SRD-800/42U
Frame top SRD-800	1 pcs	1 pcs	1 pcs
Frame bottom SRD-800	1 pcs	1 pcs	1 pcs
Rack Pillar SRD-800	U24 - 4 pcs	U36 - 4 pcs	U42 - 4 pcs
Side panel	U24 - 2 pcs	U36 - 2 pcs	U42 - 2 pcs
Glass door	U24 - 1 pcs	U36 - 1 pcs	U42 - 1 pcs
Blind door	U24 - 1 pcs	U36 - 1 pcs	U42 - 1 pcs
Jamper SRD-800	2 pcs	4 pcs	6 pcs
Vertical profile U12	8 pcs	12 pcs	12 pcs
Vertical profile U6	-	-	4 pcs
Cable channel U12	4 pcs	6 pcs	6 pcs
Screw M6x16 DIN 912	16 pcs	16 pcs	16 pcs
Leg M10x30	4 pcs	4 pcs	4 pcs

Assembly Guide

SRD-800 series

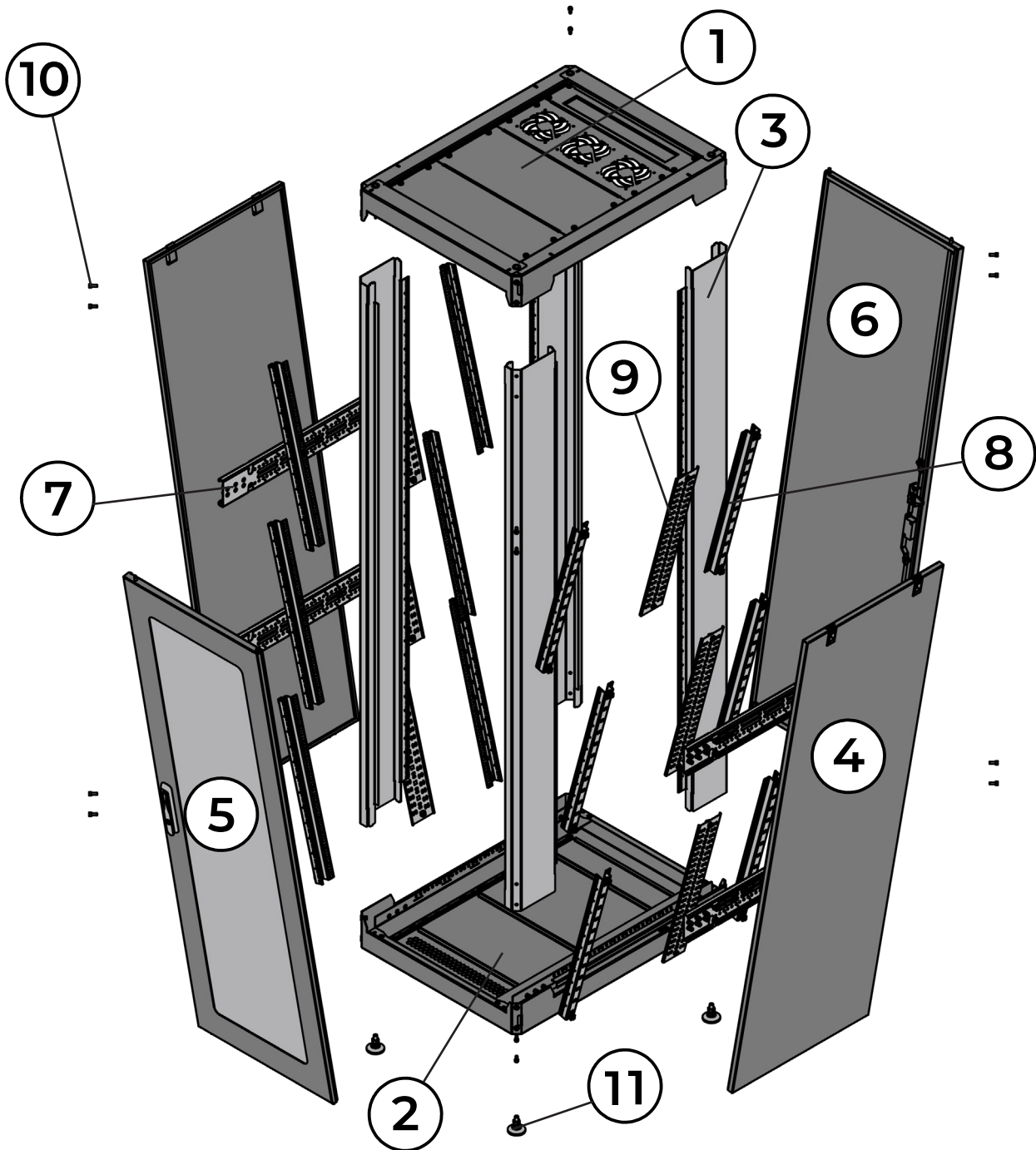


Assembly Guide

SRD-800 series

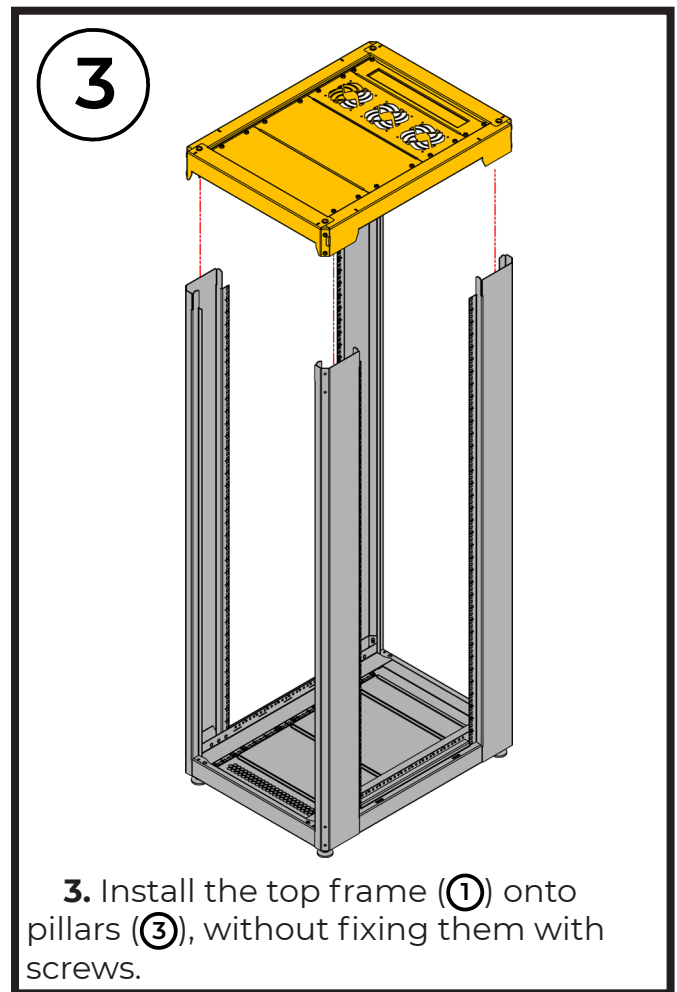
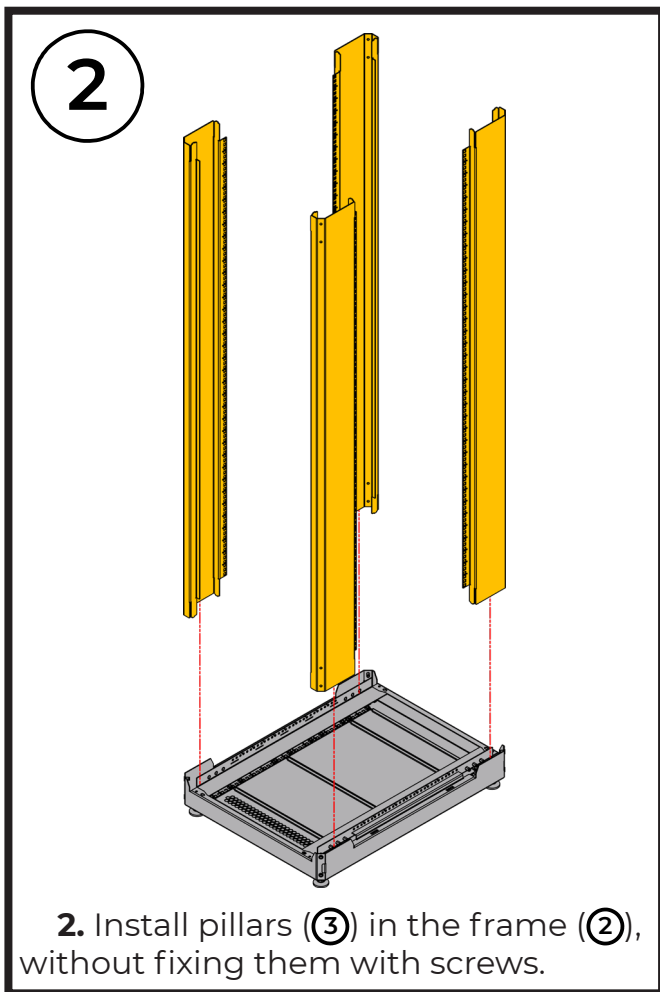
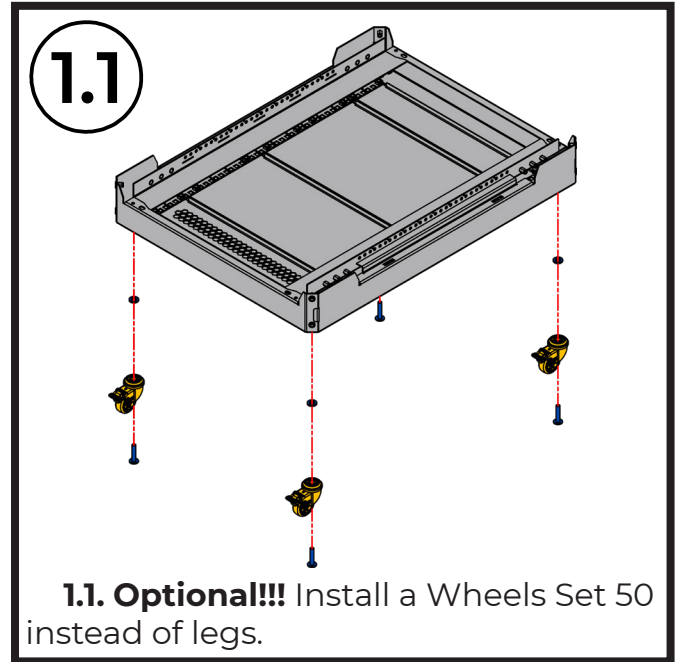
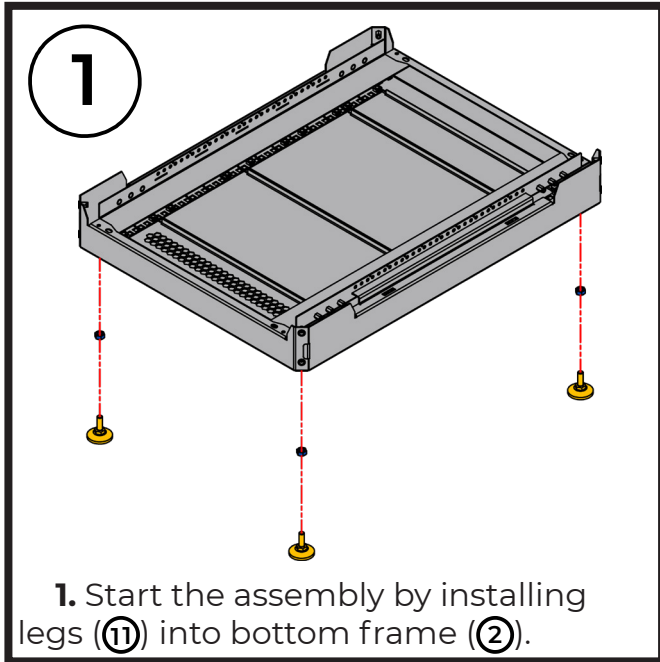
Assembly components:

- ① Frame top SRD-800
- ② Frame bottom SRD-800
- ③ Rack Pillar SRD-800
- ④ Side panel
- ⑤ Glass door
- ⑥ Blind door
- ⑦ Jumper SRD-800
- ⑧ Vertical profile U12
- ⑨ Cable channel U12
- ⑩ Screw M6x16 DIN 912
- ⑪ Leg M10x30
- ⑫ Hex key 5 mm - 1 pcs



Assembly Guide SRD-800 series

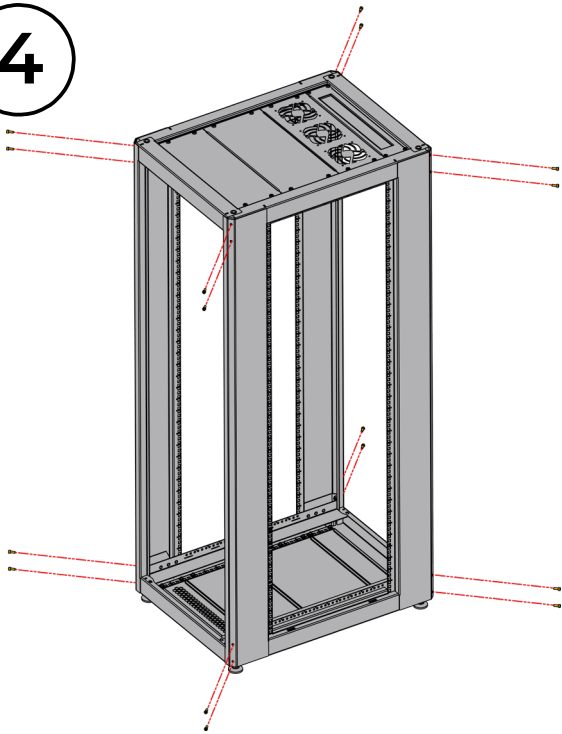
Assembly Instructions:



Assembly Guide

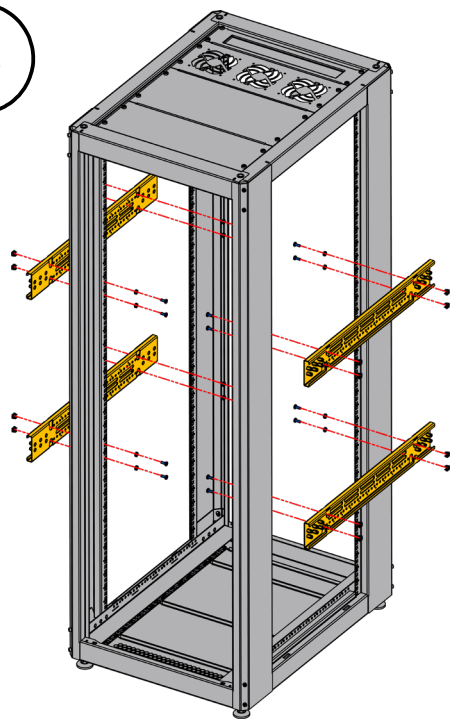
SRD-800 series

4



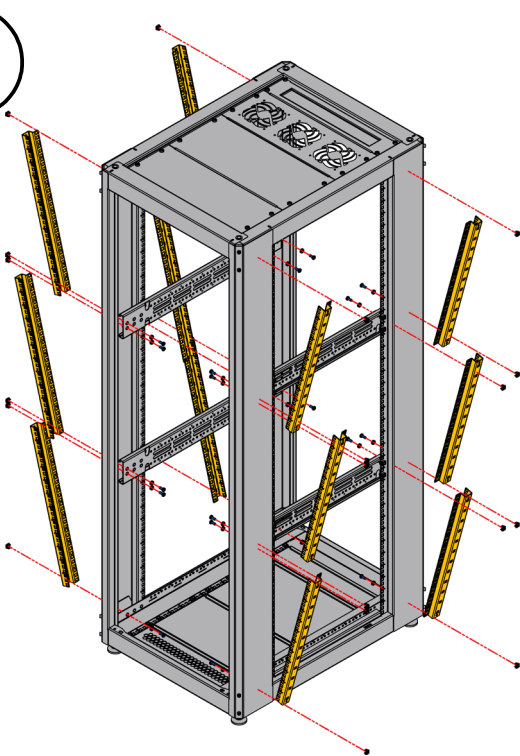
4. Tighten the screws (10) of all pillars (3).

5



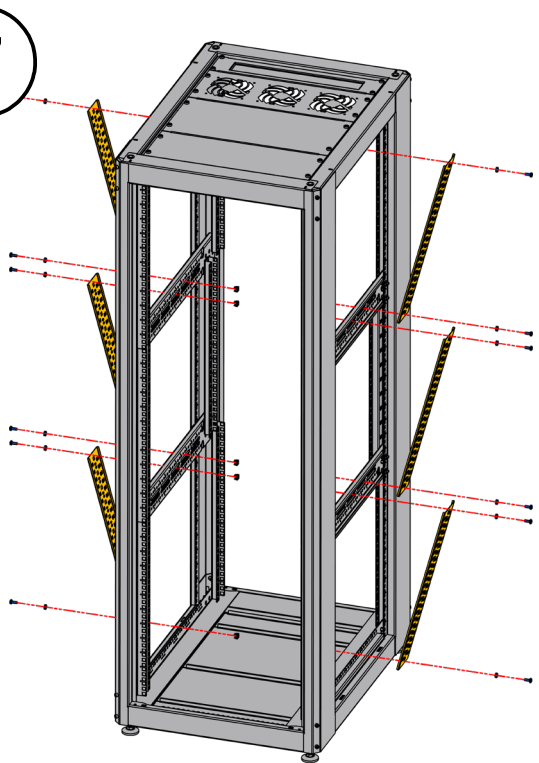
5. Install Jumpers (7) from the inside frames.

6



6. Install Vertical profiles (8) from the inside frames.

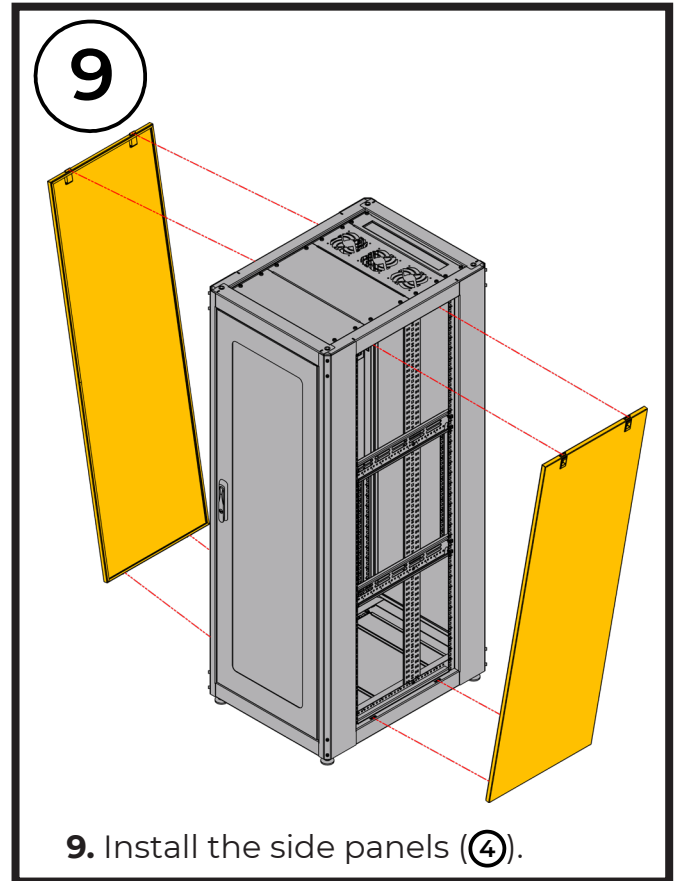
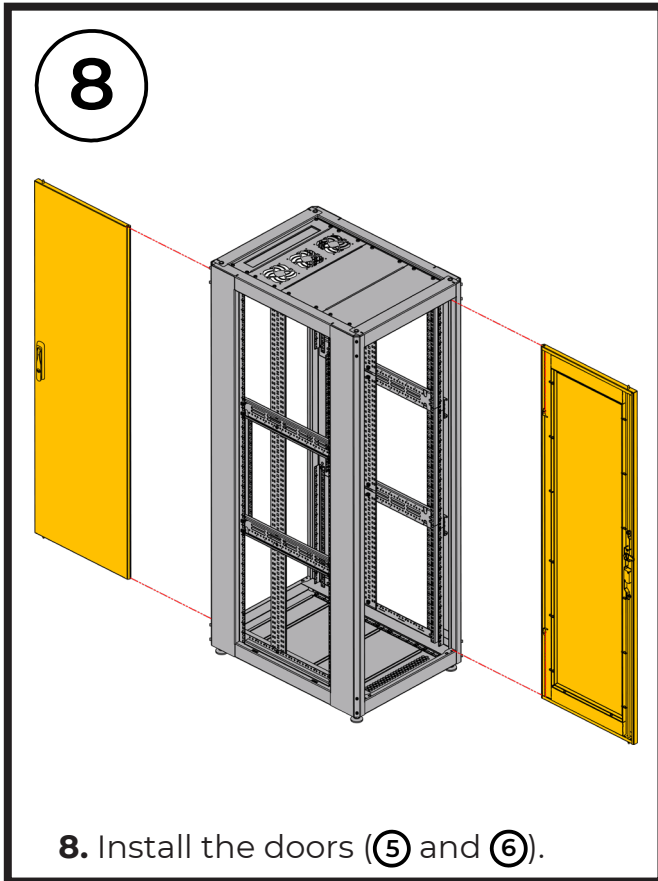
7



7. Install Cable channels (9) from the inside frames.

Assembly Guide

SRD-800 series



SAFETY INSTRUCTIONS

1. Entrust mounting equipment only to experienced professionals and strictly follow the provided safety instructions. Improperly installed equipment may result in property damage, personal injury and/or liability for the installing contractor.
2. Only use appropriate fastening hardware.
3. Always make sure to securely use and lock all mounting bolts. Loose bolts may become unscrewed over time due to vibration which will then create a safety hazard.