

Installation Guide

CMT series

Installation Guide for CMT-P-1,5 & CMT-D-1,5 series

CMT-P-1,5



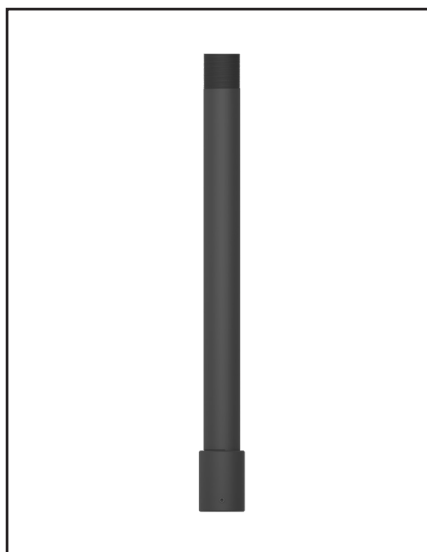
CMT-P-1,5 with CMT-D30-1,5



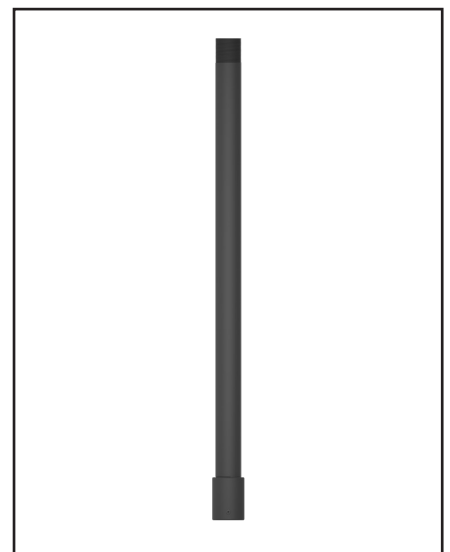
CMT-D30-1,5



CMT-D60-1,5



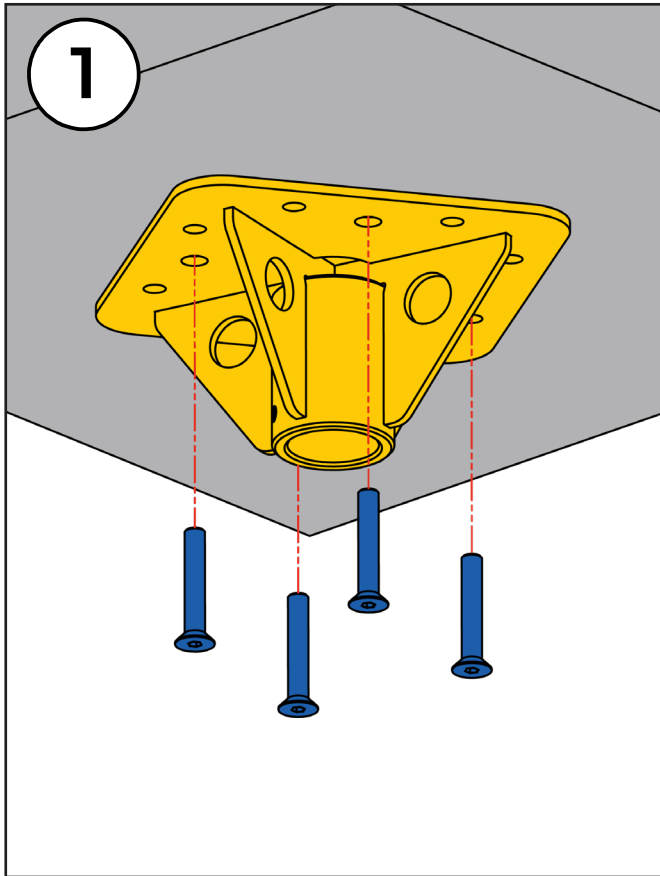
CMT-D90-1,5



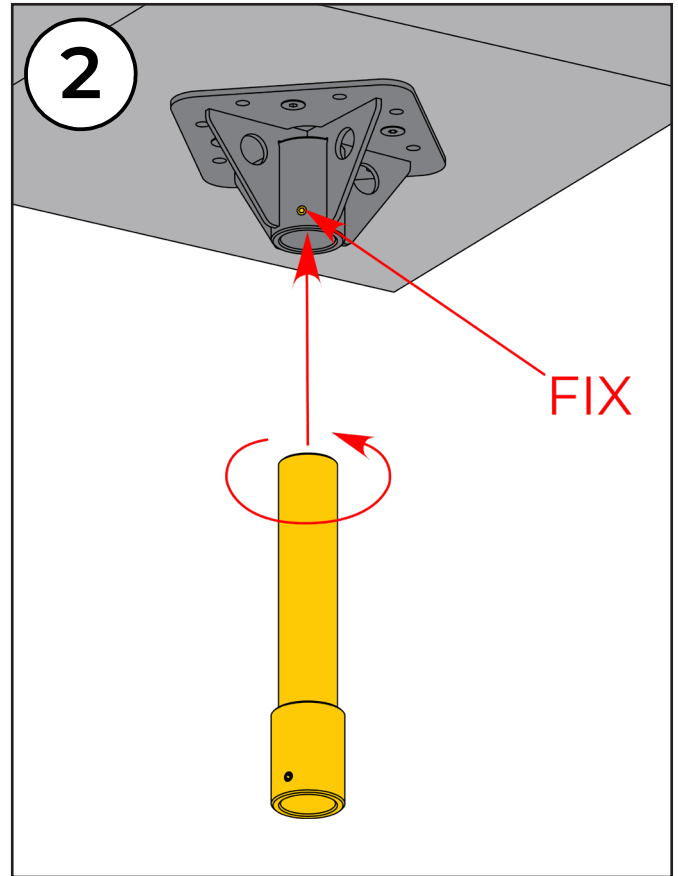
Installation Guide

CMT series

Installation Instructions:



1. Screw the bracket to the ceiling by using all (4) screw.



2. Install (screw) the distance tubes that bracket. And tighten the fixing bolts to lock.

SAFETY INSTRUCTIONS

1. Only entrust loudspeaker mounting equipment to experienced professionals. Also strictly follow the provided safety instructions. Improperly installed mounting equipment may result in property damage, personal injury and/or liability for the installing contractor.
2. **Always use safety cables!** This will prevent equipment from falling during/after setup and while exploiting.
3. Always check if the wall surface is structurally strong enough to support load. Make sure the wall and/or ceiling structure allows to hold the weight of the speaker including its bracket.
4. Only use appropriate fasteners.
5. Always make sure to securely use and tighten/lock all mounting bolts provided. Loose bolts may become unscrewed over time due to vibration which could potentially create a safety hazard when not tightened securely.