

Installation Guide

BSA - series

Installation Guide for BSA-series Wall Mounting Systems

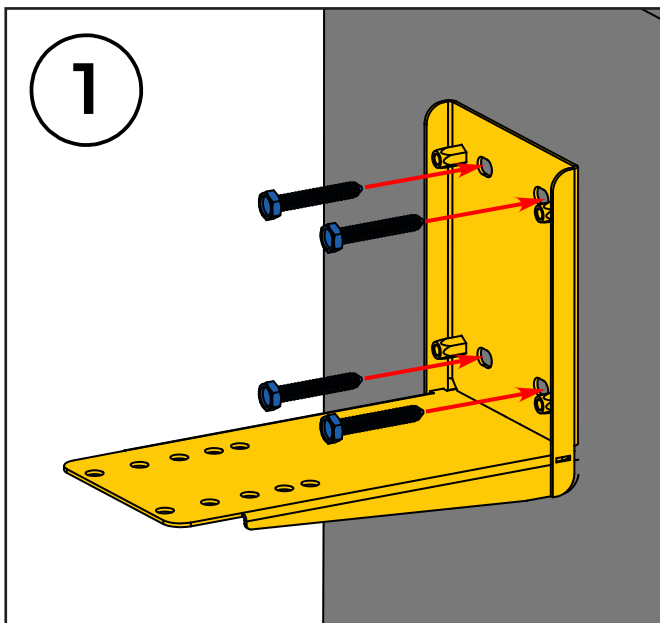
BSA-705



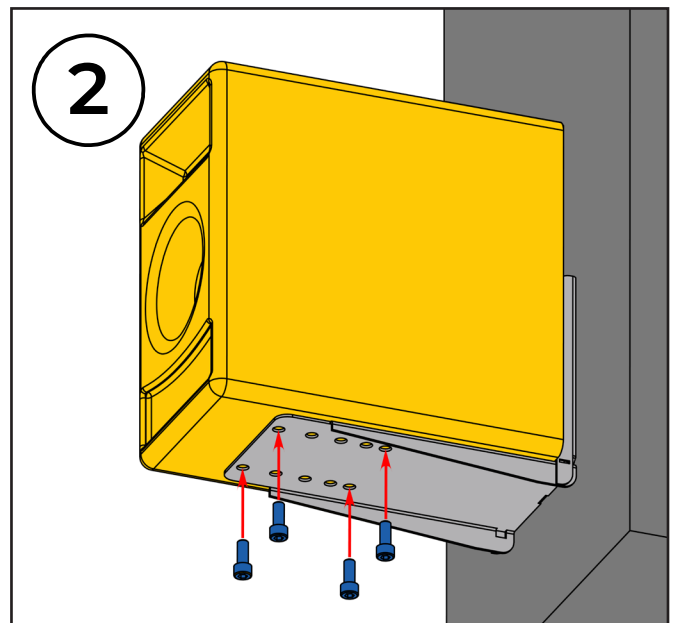
BSA-708



Installation Instructions BSA on wall:



1. Install the bookshelf adapter to the wall surface by using a level and at least (4) fasteners. Use fasteners (4) that are suitable for the material your wall is made of.

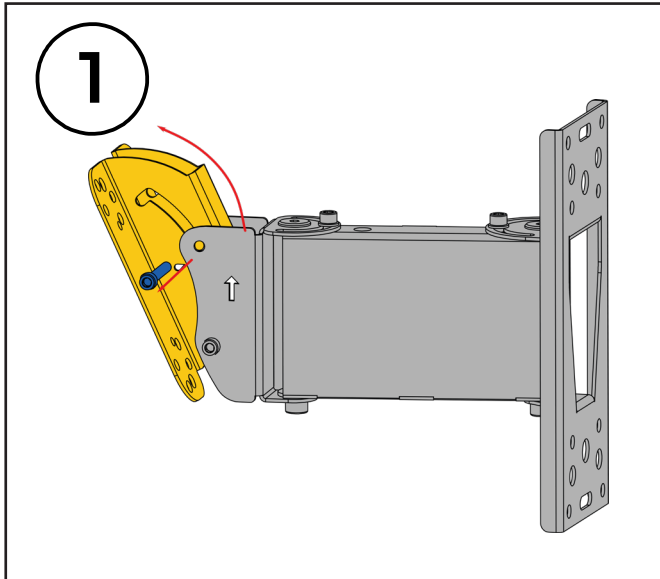


2. Put place the speaker on the bookshelf adapter and screw it by using all bolts.

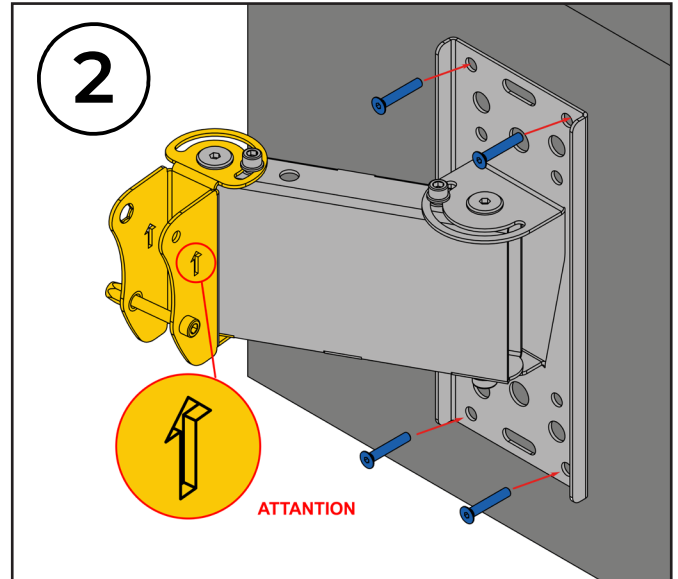
Installation Guide

BSA - series

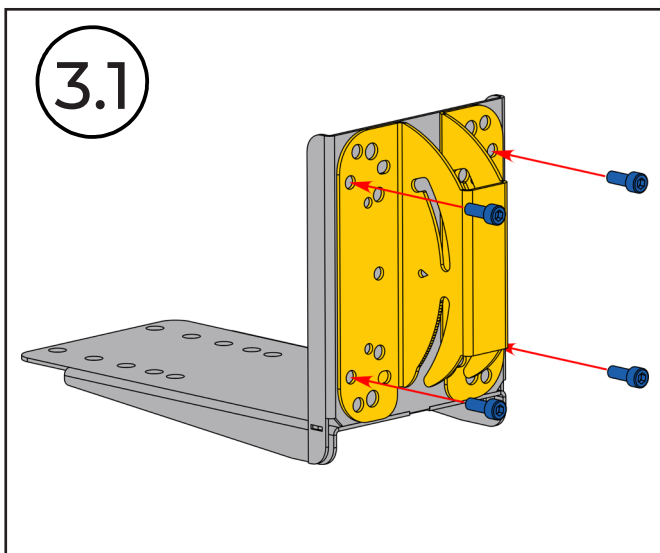
Installation Instructions BSA with WRM series:



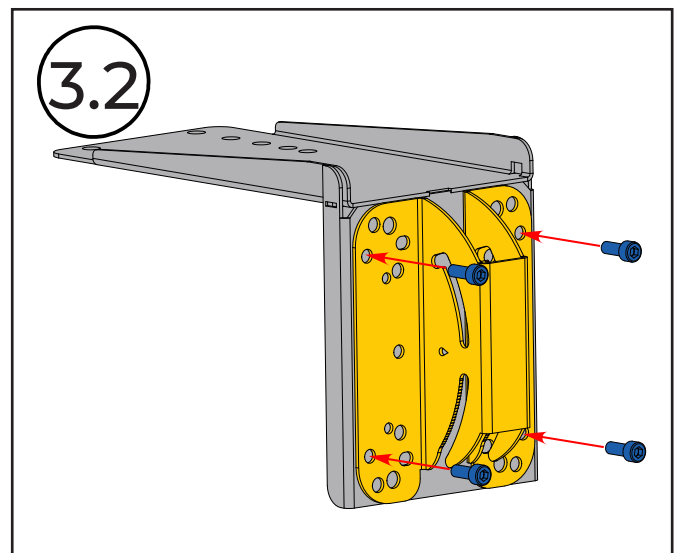
1. If you need to screw the bookshelf adapter to arm bracket release the upper bolt which securing the plate to the bracket arm. Now remove the plate from the arm.



2. Install the wall plate incl. bracket arm to the wall surface by using a level and at least (4) fasteners. Use fasteners (4) that are suitable for the material your wall is made of. **ATTENTION!** The arrow should point up.



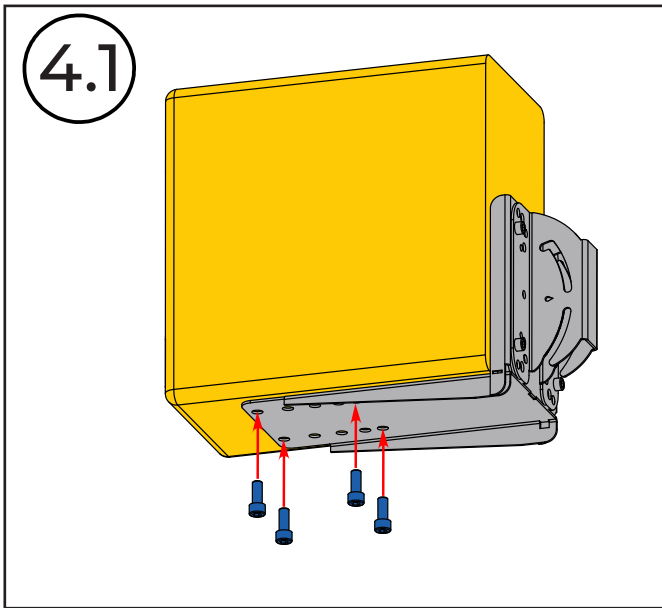
3.1 Put place the speaker install the bookshelf adapter in the position shown in the picture 4.1. Screw the plate to the rear (4) holes of the bookshelf adapter by using all (4) bolts.



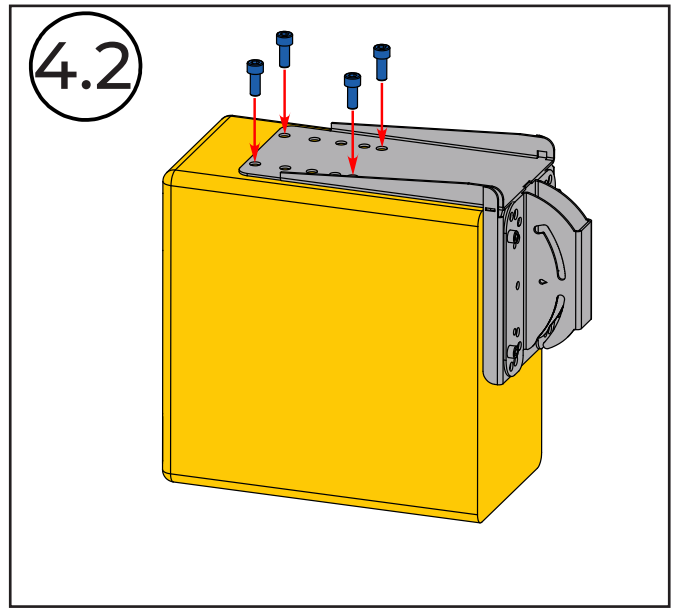
3.2 Hang up the speaker install the bookshelf adapter in the position shown in the picture 4.2. Screw the plate to the rear (4) holes of the bookshelf adapter by using all (4) bolts.

Installation Guide

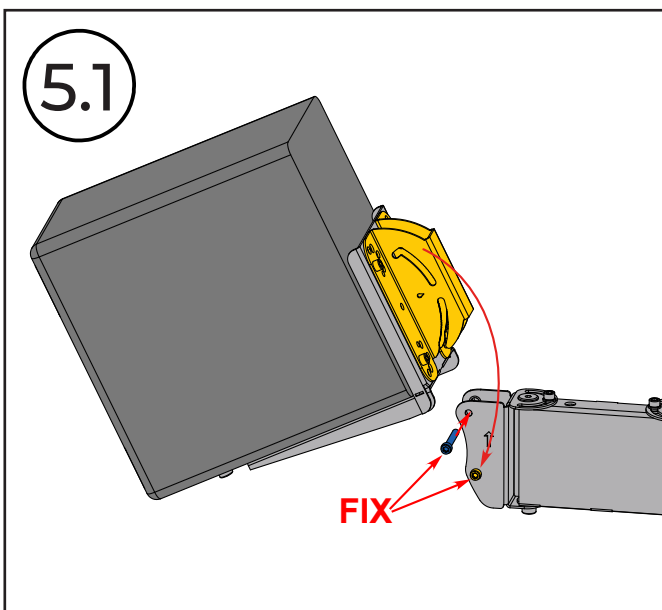
BSA - series



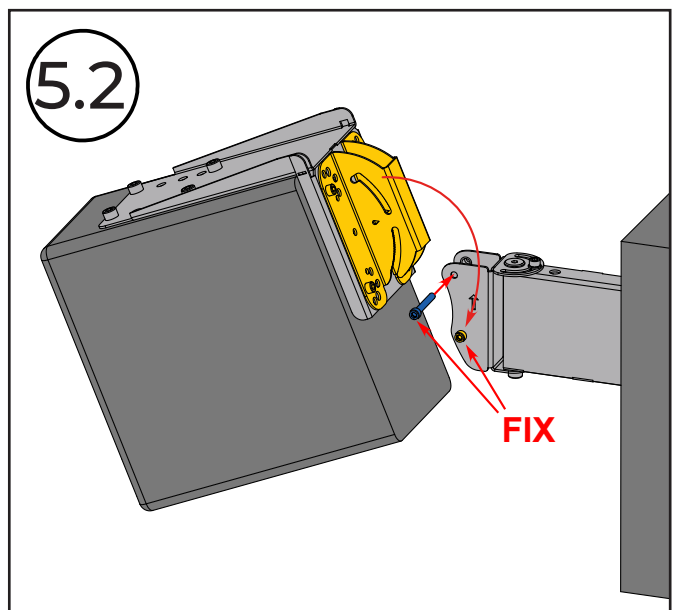
4.1 Put place the speaker on the bookshelf adapter and screw it by using all bolts.



4.2 Hang up the speaker on the bookshelf adapter and screw it by using all bolts.



5.1 Slide the plate along with the bookshelf adapter and speaker onto the lower bolt of the tilt mechanism. Press up on the top of the speaker until it stops and then tighten the upper bolt of the plate. Adjust the tilt angles as required and tighten the fixing bolts to lock in the position of the bookshelf adapter with speaker.



5.2 Slide the plate along with the bookshelf adapter and speaker onto the lower bolt of the tilt mechanism. Press up on the top of the speaker until it stops and then tighten the upper bolt of the plate. Adjust the tilt angles as required and tighten the fixing bolts to lock in the position of the bookshelf adapter with speaker.