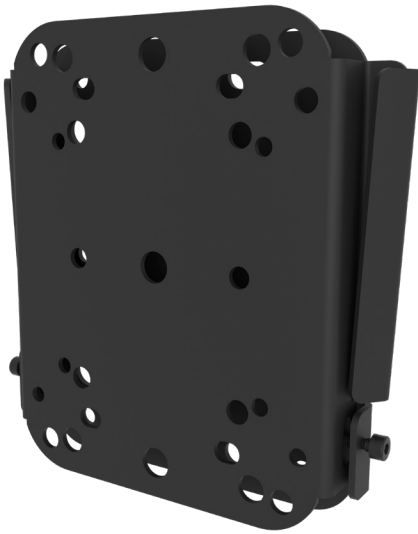


# Installation Guide

## WMT - series

# Installation Guide for WMT-20 Wall Mounting Systems



### SAFETY INSTRUCTIONS

1. Only entrust loudspeaker mounting equipment to experienced professionals. Also strictly follow the provided safety instructions. Improperly installed mounting equipment may result in property damage, personal injury and/or liability for the installing contractor.

2. **Always use safety cables!** This will prevent equipment from falling during/after setup and while exploiting.

3. Always check if the wall surface is structurally strong enough to support load. Make sure the wall and/or ceiling structure allows to hold the weight of the speaker including its bracket.

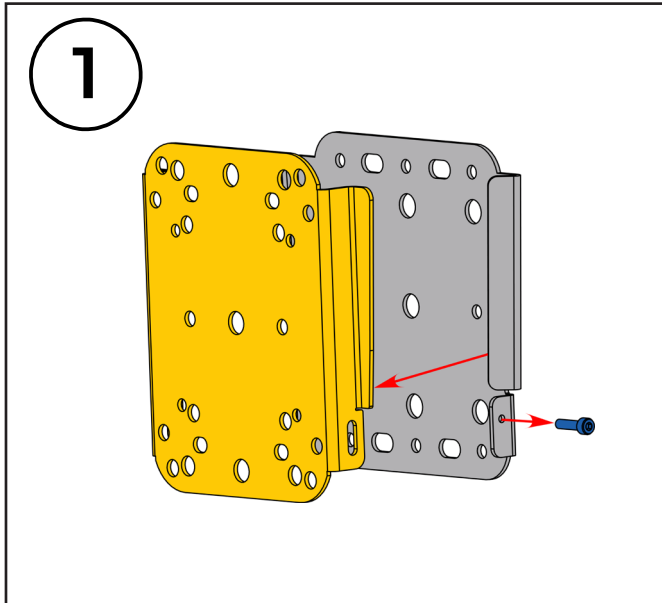
4. Only use appropriate fasteners.

5. Always make sure to securely use and tighten/lock all mounting bolts provided. Loose bolts may become unscrewed over time due to vibration which could potentially create a safety hazard when not tightened securely.

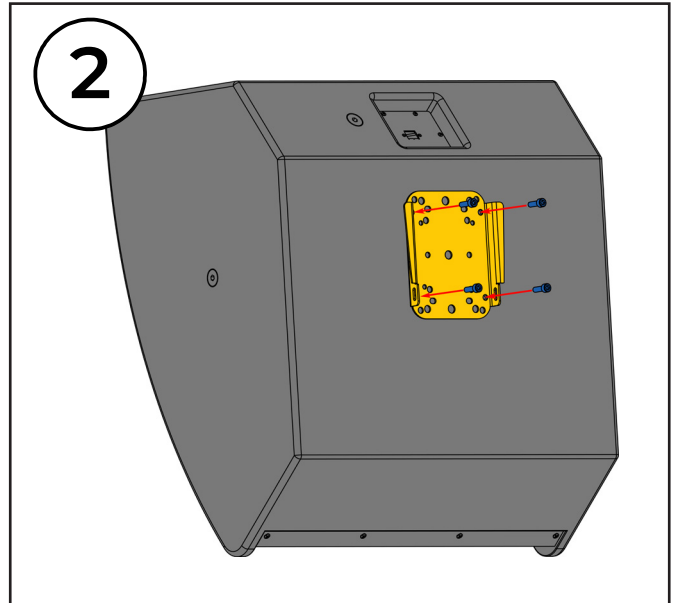
# Installation Guide

## WMT - series

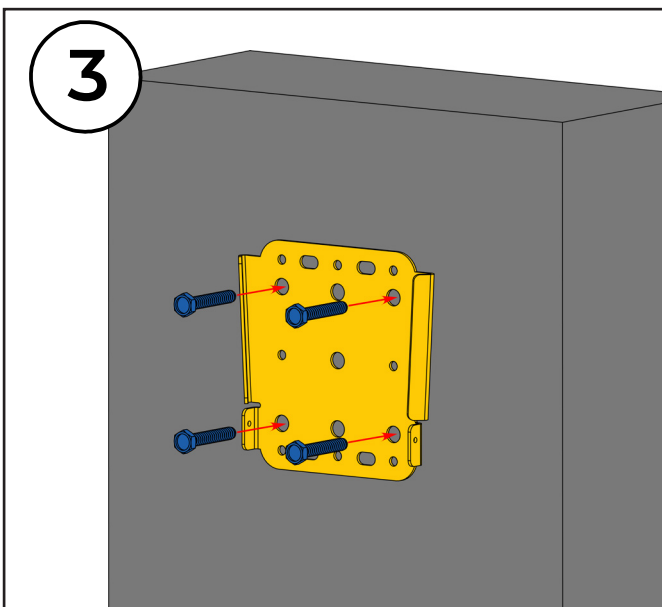
### Installation Instructions WMT-20 on wall:



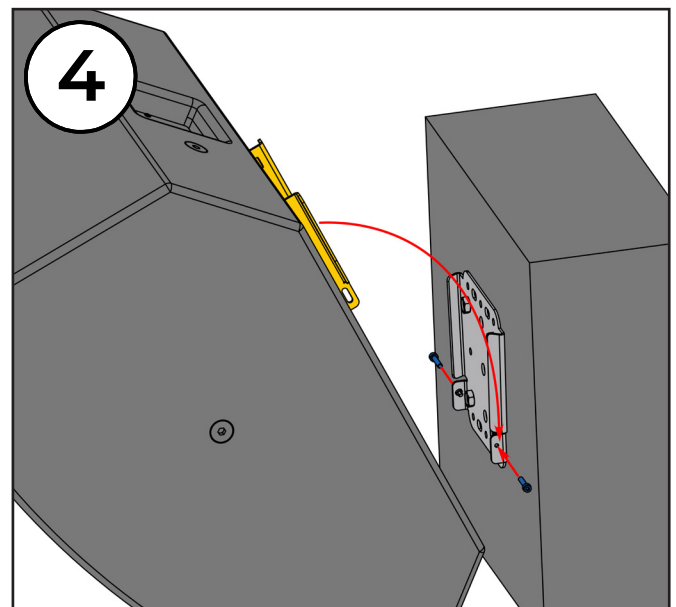
**1.** First, release the lower bolt which the front plate is attached to the rear bracket WMT-20. Now remove the front plate from the rear bracket.



**2.** Screw the front plate to the rear (4) holes of the loudspeaker by using all (4) bolts.



**3.** Screw the rear bracket to the wall surface by using a level and at least (4) fasteners. Use fasteners (4) that are suitable for the material your wall is made of.



**4.** Slide the front plate along with the loudspeaker onto the rear bracket WMT-20. Then insert and tighten the lower bolts of the bracket.