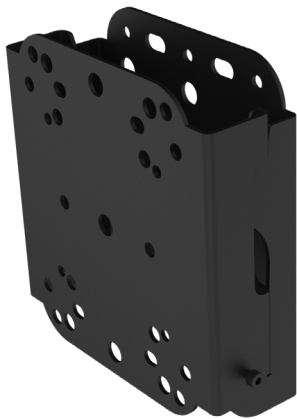


Installation Guide

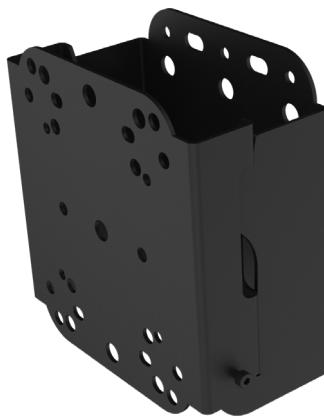
WMT - series

Installation Guide for WMT Wall Mounting Systems

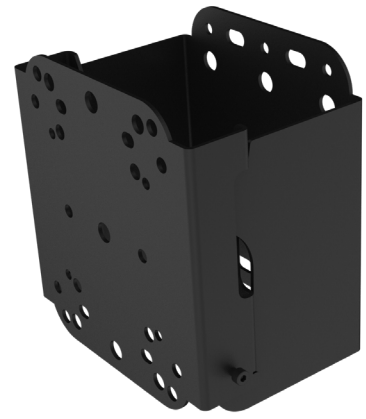
Model:



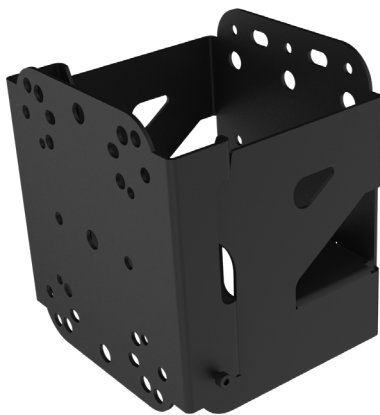
WMT-50



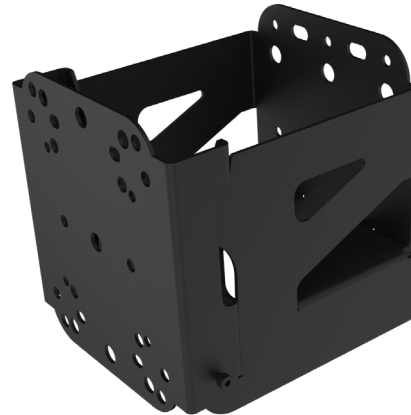
WMT-75



WMT-100



WMT-125



WMT-150

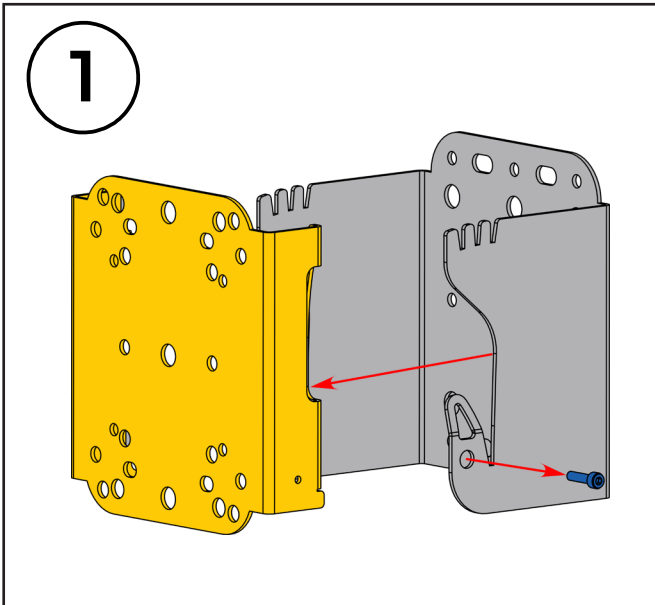
SAFETY INSTRUCTIONS

1. Only entrust loudspeaker mounting equipment to experienced professionals. Also strictly follow the provided safety instructions. Improperly installed mounting equipment may result in property damage, personal injury and/or liability for the installing contractor.
2. **Always use safety cables!** This will prevent equipment from falling during/after setup and while exploiting.
3. Always check if the wall surface is structurally strong enough to support load. Make sure the wall and/or ceiling structure allows to hold the weight of the speaker including its bracket.
4. Only use appropriate fasteners.
5. Always make sure to securely use and tighten/lock all mounting bolts provided. Loose bolts may become unscrewed over time due to vibration which could potentially create a safety hazard when not tightened securely.

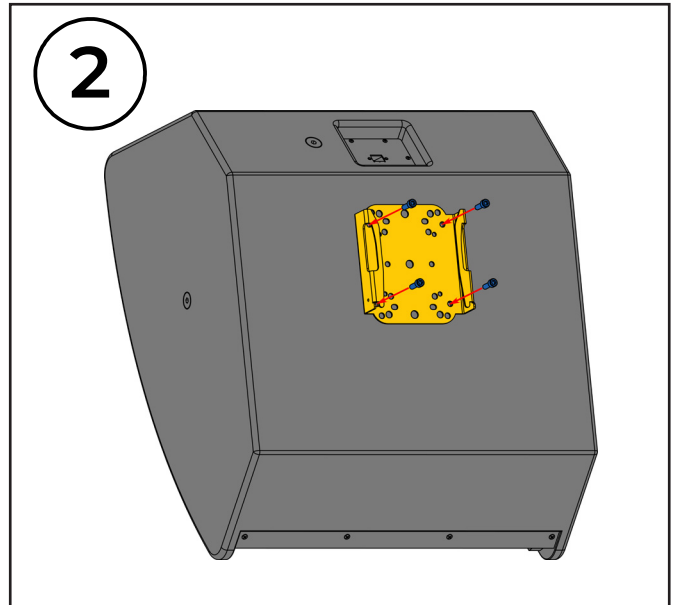
Installation Guide

WMT - series

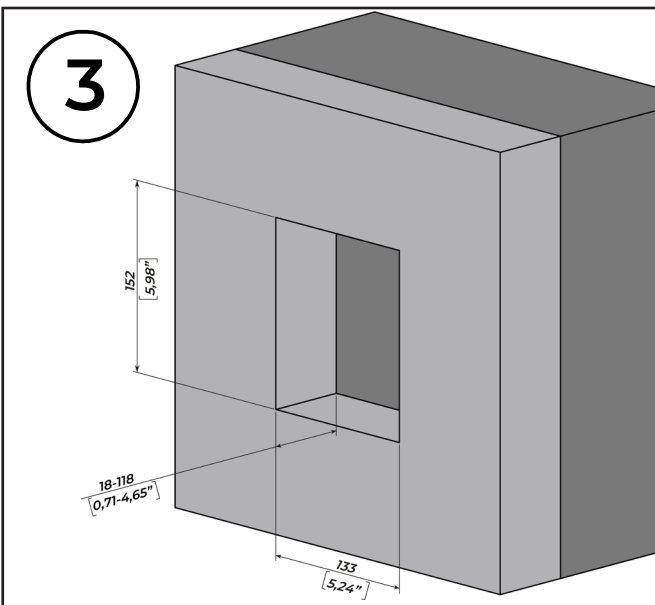
Installation Instructions WMT on wall:



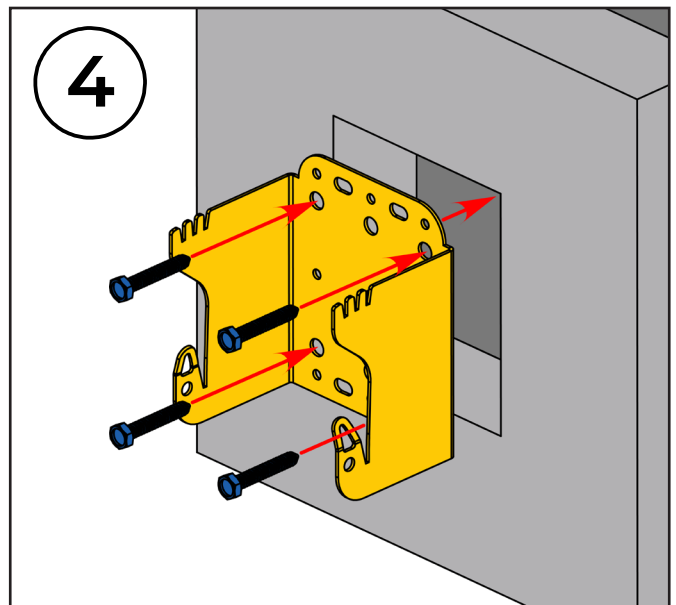
1. First, release the lower bolt which the front plate is attached to the rear bracket WMT. Now remove the front plate from the rear bracket.



2. Screw the front plate to the rear (4) holes of the loudspeaker by using all (4) bolts.



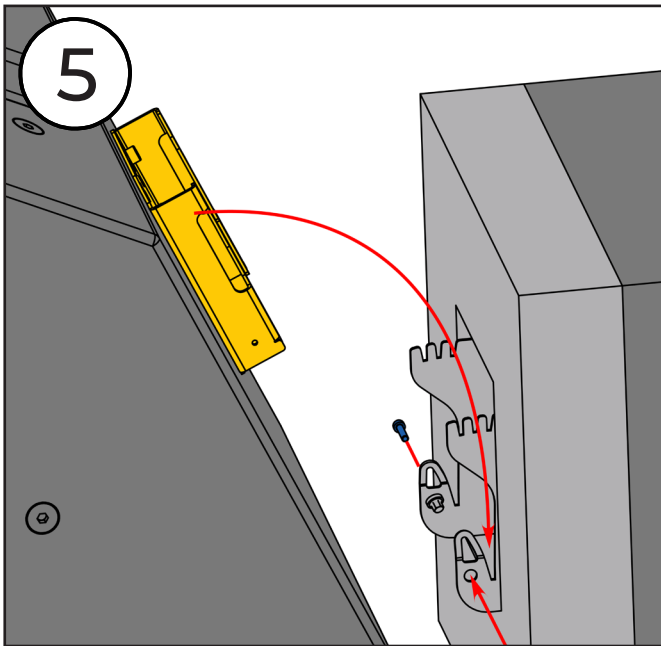
3. Cut a window in the acoustic material to fit the dimensions of the back of the bracket WMT. The thickness of the acoustic material should be according to the selected bracket.



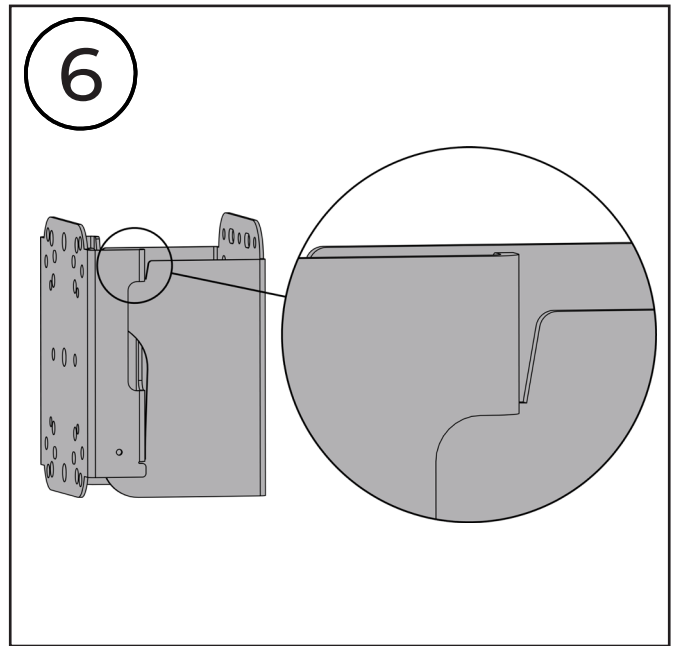
4. Place the bracket WMT in the acoustic material window and screw the rear bracket to the wall surface by using a level and at least (4) fasteners. Use fasteners (4) that are suitable for the material your wall is made of.

Installation Guide

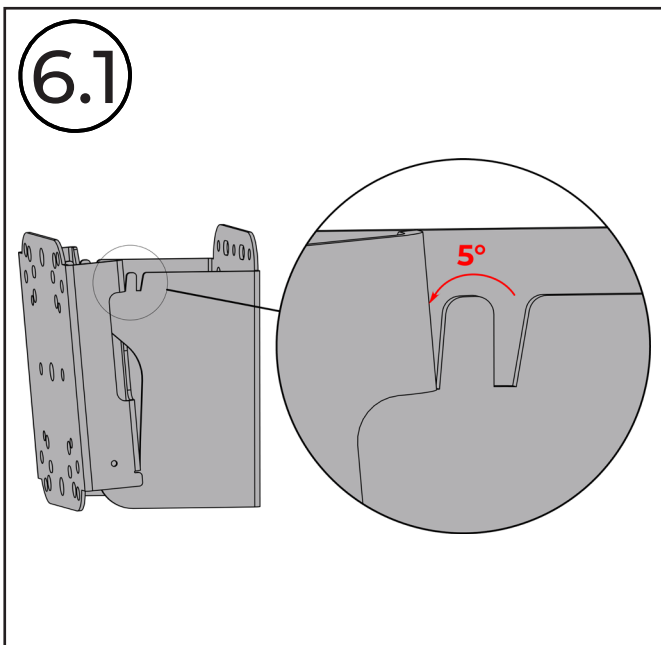
WMT - series



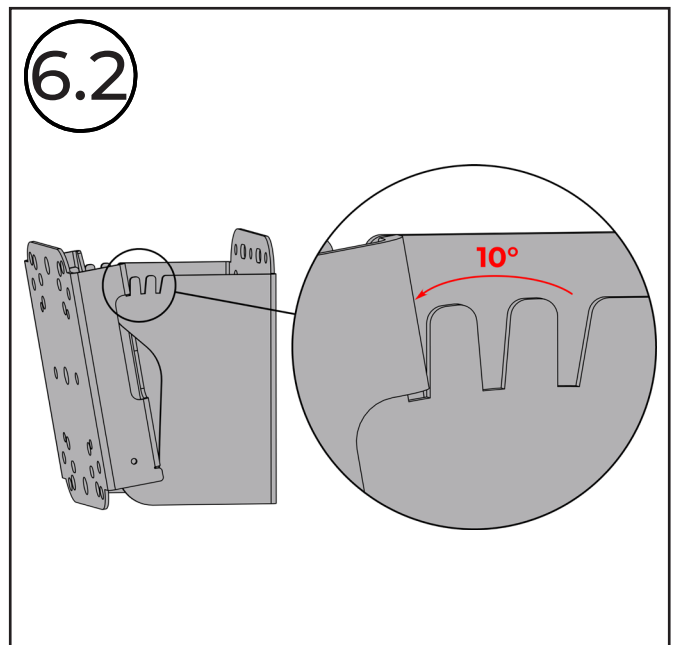
5. Slide the front plate along with the loudspeaker onto the rear bracket WMT. Then insert and tighten the lower bolts of the bracket.



6. Install the loudspeaker without tilting in the position as shown in the picture.



6.1. If you need to install the loudspeaker at an angle of 5°, select the position as shown in the picture.



6.2. If you need to install the loudspeaker at an angle of 10°, select the position as shown in the picture.