

Installation Guide

WRM - series

Installation Guide for WRM-series Wall Mounting Systems

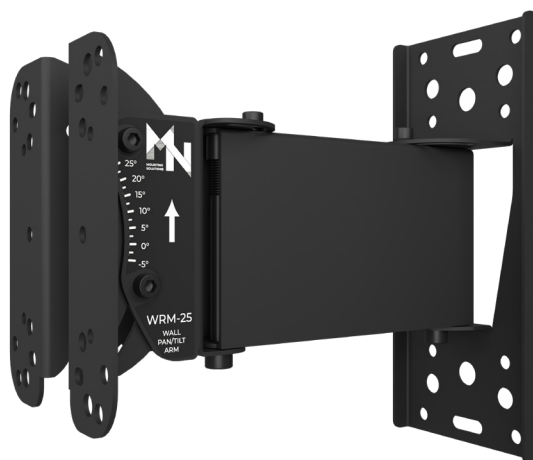
Models:



WRM-11



WRM-18



WRM-25

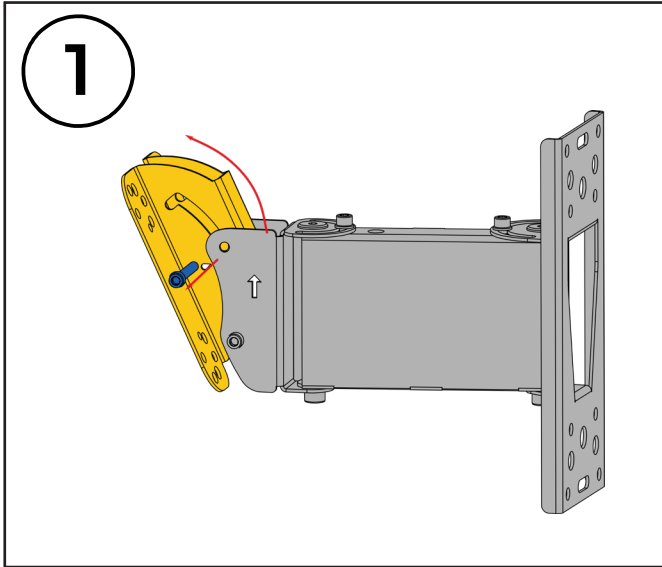
SAFETY INSTRUCTIONS

1. Only entrust loudspeaker mounting equipment to experienced professionals. Also strictly follow the provided safety instructions. Improperly installed mounting equipment may result in property damage, personal injury and/or liability for the installing contractor.
2. **Always use safety cables!** This will prevent equipment from falling during/after setup and while exploiting.
3. Always check if the wall surface is structurally strong enough to support load. Make sure the wall and/or ceiling structure allows to hold the weight of the speaker including its bracket.
4. Only use appropriate fasteners.
5. Always make sure to securely use and tighten/lock all mounting bolts provided. Loose bolts may become unscrewed over time due to vibration which could potentially create a safety hazard when not tightened securely.

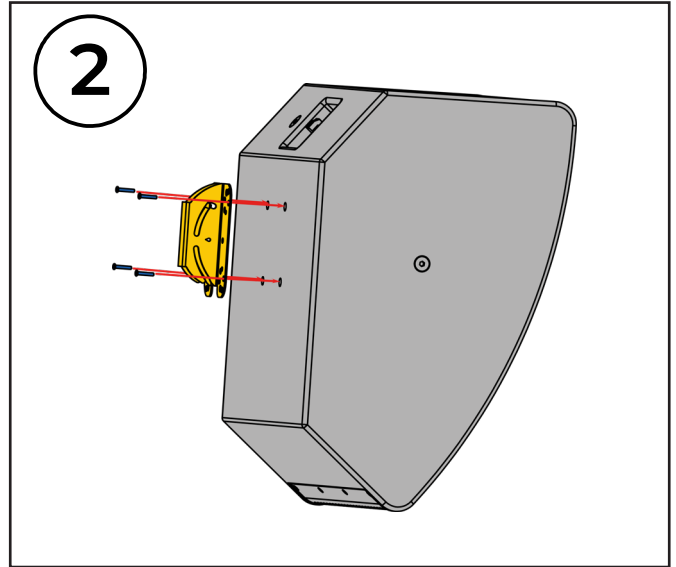
Installation Guide

WRM - series

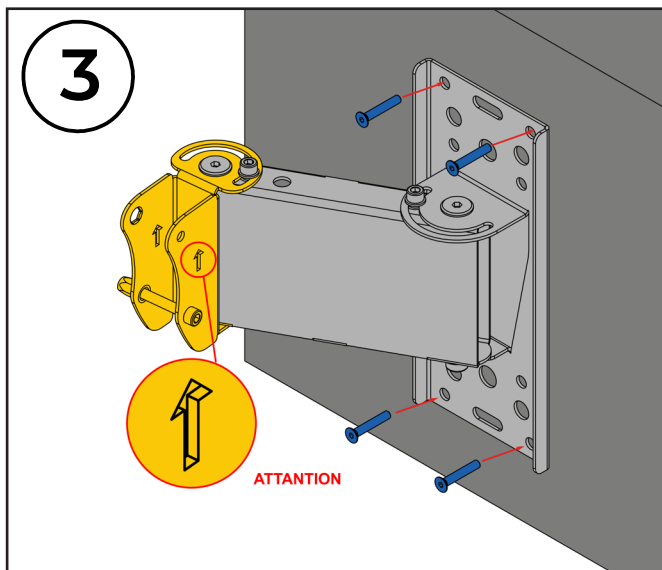
Installation Instructions:



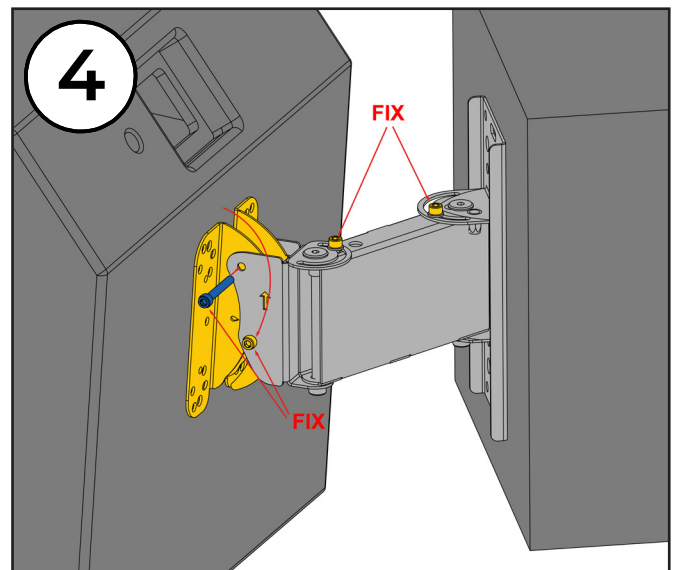
1. First, release the upper bolt which securing the speaker plate to the bracket arm. Now remove the speaker plate from the arm.



2. Screw the speaker plate to the rear (4) holes of the loudspeaker by using all (4) bolts.



3. Install the wall plate incl. bracket arm to the wall surface by using a level and at least (4) fasteners. Use fasteners (4) that are suitable for the material your wall is made of.
ATTENTION! The arrow should point up.



4. Slide the speaker plate along with the loudspeaker onto the lower bolt of the tilt mechanism. Press down on the top of the loudspeaker until it stops and then tighten the upper bolt of the speaker plate. Adjust the pan and tilt angles of the loudspeaker as required and tighten the (4) fixing bolts to lock in the position of the loudspeaker.