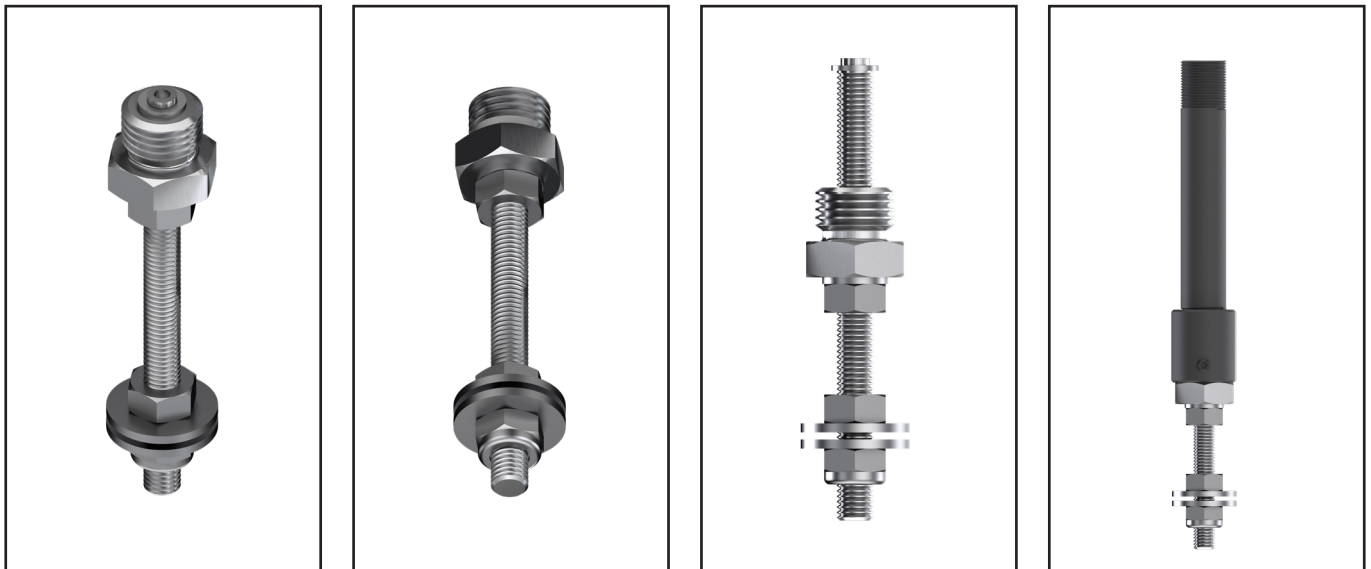


CMT-D100-M10

Adapter Distance Tube

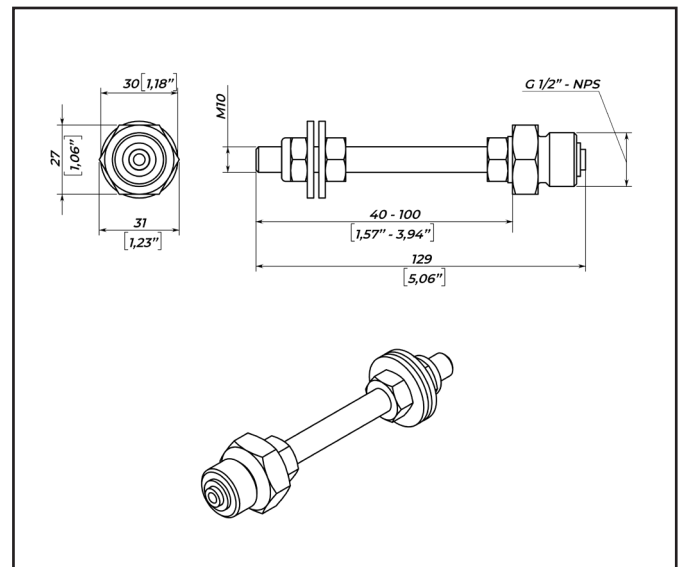
100 lbs (45 kg) max load

The CMT-D100-M10 is an adapter between the CMT-D series and the M10 thread for ceiling mounting systems.



SPECIFICATIONS:

Load limit	45 kg / 100 lbs
Design factor	7:1 ratio
Dimensions	129 x 30 x 30 mm 5,06" x 1,18" x 1,18"
Shipping dimensions	160 x 55 x 55 mm 6,30" x 2,17" x 2,17"
Net weight	0,2 kg / 0,44 lbs
Shipping weight	0,50 kg / 1,10 lbs



OPTIONAL ACCESSORIES

1. CMT-D Fixed Length
2. CMT-D Telescopic Length

PACKAGE CONTENTS

1. CMT-D100-M10 - 1 pcs
2. Nut M10 - 3 pcs
3. Washer - 2 pcs

SAFETY INSTRUCTIONS

1. Entrust mounting equipment only to experienced professionals and strictly follow the provided safety instructions. Improperly installed equipment may result in property damage, personal injury and/or liability for the installing contractor.
2. **Always use safety cables!** This will prevent equipment from falling during setup or while exploitation.
3. Always carefully check the mounting surface of the wall. Make sure the wall or ceiling structure allows to hold the weight of the speaker including its bracket.
4. Only use appropriate fastening hardware.
5. Always make sure to securely use and lock all mounting bolts. Loose bolts may become unscrewed over time due to vibration which will then create a safety hazard.

www.mnmounting.com
info@mnmounting.com
2 Merezhna str., Bila Tserkva,
Kyiv region, 09100, Ukraine

EMEA & Asian region:
+32 (0) 472 630212

USA, LATAM, Canada, Australia
& New Zealand region:
+1 (562) 607 7348

