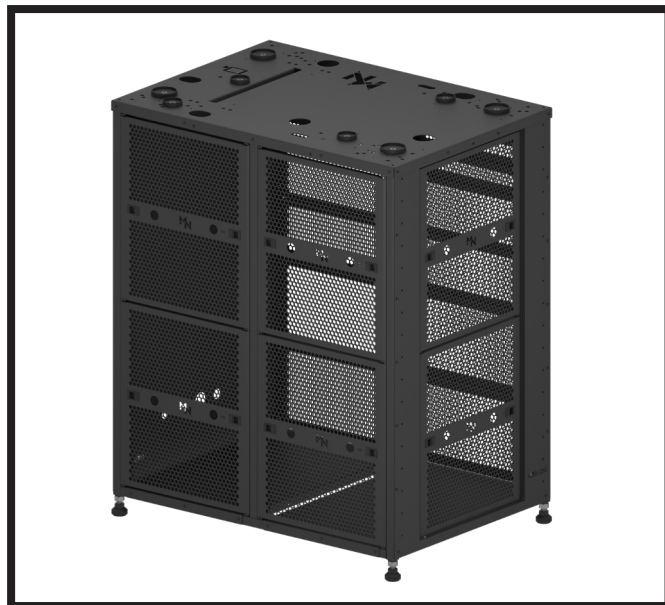
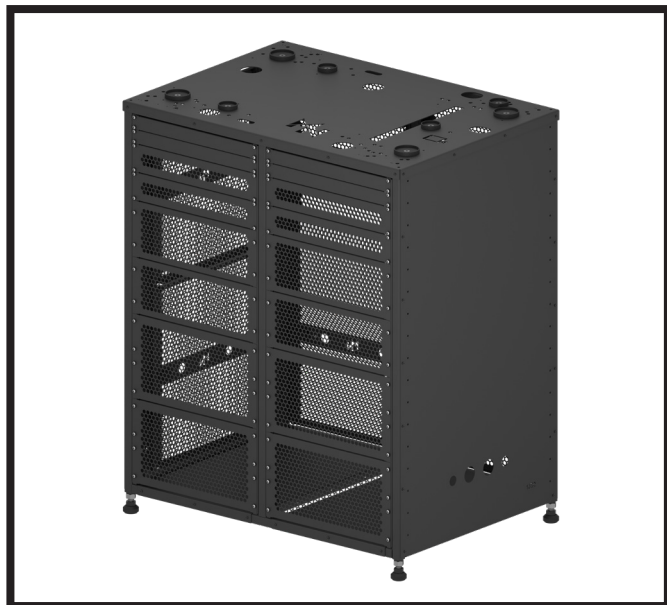


PAP-1350/52U

Projector Pedestal
Rack stand
3D system mounting

The PAP-1350/52U is a multi-purpose projector pedestal compatible with numerous digital cinema projector make and models. It also provides 2x26U rack space for power amplifiers, processors another rack-mountable equipment, as well as an adjustable 3D system mounting option.



SPECIFICATIONS:

Functions	Projector table Rack stand 3D system mounting	
Compatible projector brands	Barco Christie NEC Sony	
Table dimensions	1080 x 764 mm	42,50" x 30,08"
Tilt angle	up to 10°	
Space for rack equipment	2 x 26U	
Height adjustment range	up to 190 mm	up to 7,48"
Weight capacity	500 kg	1102,31 lbs
Dimensions (WxHxD)	1088 x 1238 x 769 mm (feet retracted)	42,83" x 48,72" x 30,28" (feet retracted)
	1088 x 1316 x 777 mm (feet fully extended)	42,83" x 51,79" x 30,59" (feet fully extended)
Shipping dimensions (not assembled)	1145 x 1300 x 151 mm	45,08" x 51,30" x 5,94"
Net weight	93,1 kg	205,38 lbs
Shipping weight	99 kg	218,26 lbs
Color	Black	
Steel grade	A 283 Grade C	

PACKAGE CONTENTS

1. PAP-1150/44U (not assembled) - 1 pcs
2. Set of mounting hardware - 1 pcs
3. RC-1U - 4 pcs
4. RCV-2U - 6 pcs
5. RCV-4U - 4 pcs
6. RCV-6U - 4 pcs
7. RCHV-13U - 6 pcs
8. RR-1U - 2 pcs
9. SG-50 - 4 pcs
10. SG-70 - 4 pcs
11. M6 rack screw pack - 80 pcs
12. Installation manual - 1 pcs

SAFETY INSTRUCTIONS

1. Entrust mounting equipment only to experienced professionals and strictly follow the provided safety instructions. Improperly installed equipment may result in property damage, personal injury and/or liability for the installing contractor.

2. Only use appropriate fastening hardware.

3. Always make sure to securely use and lock all mounting bolts. Loose bolts may become unscrewed over time due to vibration which will then create a safety hazard.

Custom Logo Laser Cut available for no extra cost

www.mnmounting.com
info@mnmounting.com
2 Merezhna str., Bila Tserkva,
Kyiv region, 09100, Ukraine

EMEA & Asian region:
+32 (0) 472 630212

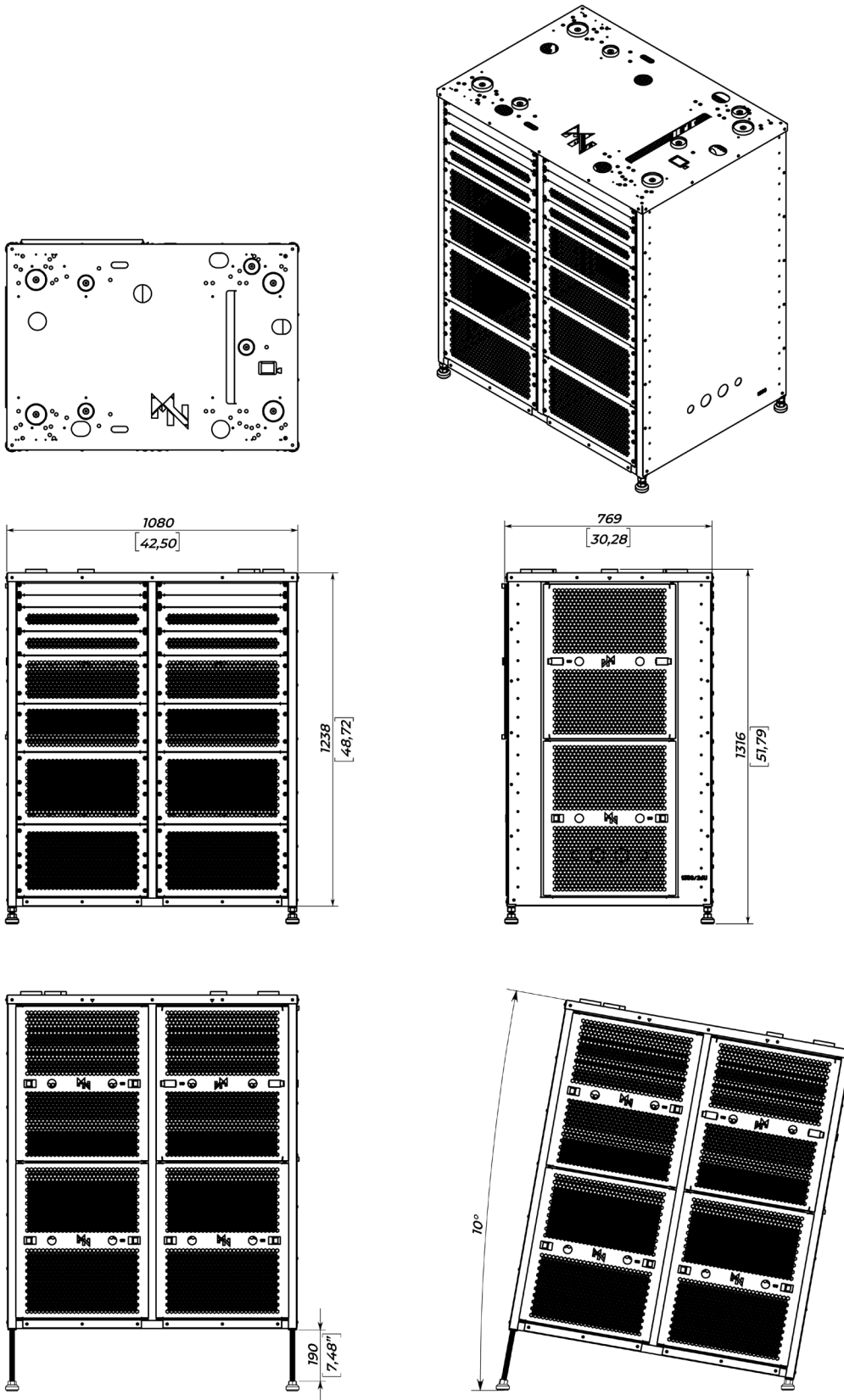
USA, LATAM, Canada, Australia
& New Zealand region:
+1 (562) 607 7348



PAP-1350/52U

Projector Pedestal
Rack stand
3D system mounting

Dimensions



www.mnmounting.com
info@mnmounting.com
2 Merezhna str., Bila Tserkva,
Kyiv region, 09100, Ukraine

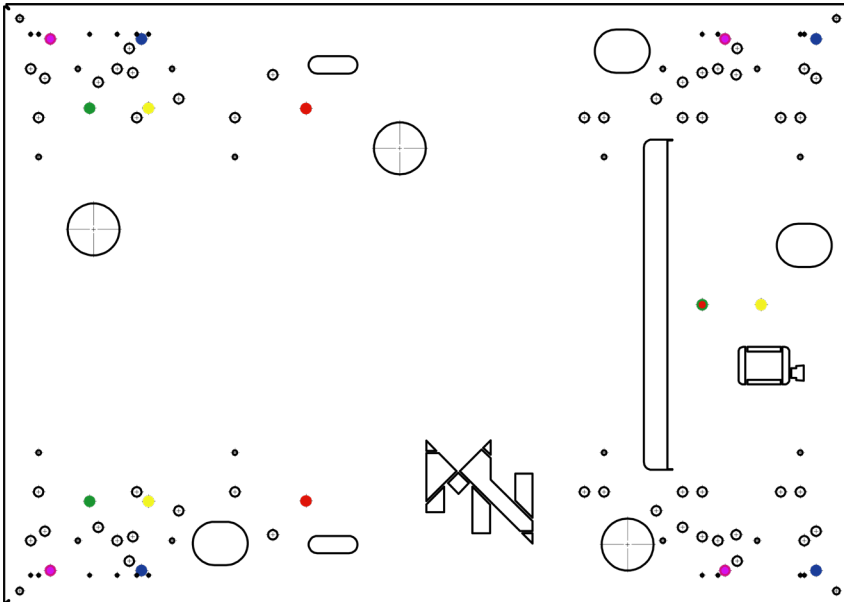
EMEA & Asian region:
+32 (0) 472 630212

USA, LATAM, Canada, Australia
& New Zealand region:
+1 (562) 607 7348



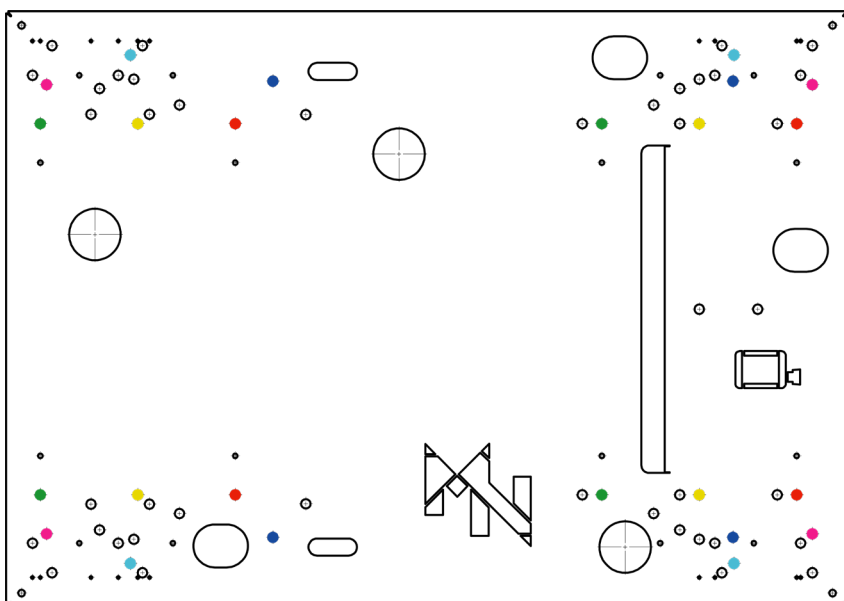
Mounting holes for different projector models

BARCO Projectors



- Barco E - series
- Barco S, C, SLP, CLP - series
SP2K - series, SP4K- series
(position 1)
- Barco S, C, SLP, CLP - series
SP2K - series, SP4K- series
(position 2)
- Barco B, BLP, L - series
SP4K-27/35/40/55 - series
(position 1)
- Barco B, BLP, L - series
SP4K-27/35/40/55 - series
(position 2)

CHRISTIE Projectors

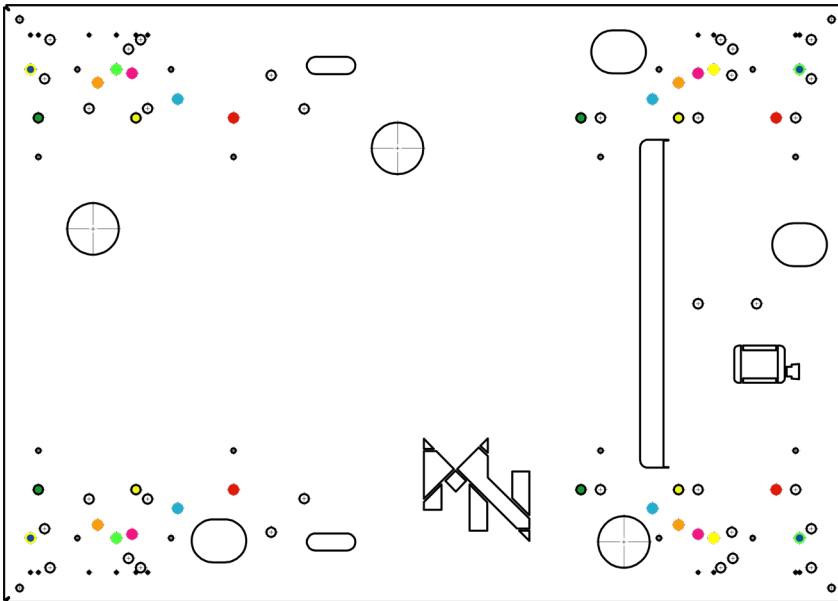


- Christie CP 2220/2230;
CP 4220/4230 (position 1)
CP2420-XE, CP4420-XE
- Christie CP 2220/2230;
CP 4220/4230 (position 2)
CP2420-XE, CP4420-XE
- Christie CP 2220/2230;
CP 4220/4230 (position 3)
CP2420-XE, CP4420-XE
- Christie SolariaONE;
CP2306/2308/2310
CP2415-XE
- Christie CP 2309/2315/2320
CP2420-RGB, CP2415-RGB
- Christie CP 4315/4320/4330,
CP 4415/4420/4425/4430/4435

PAP-1350/52U

Projector Pedestal
Rack stand
3D system mounting

NEC Projectors



- NEC NC 900/1000 (position 1)
- NEC NC 900/1000 (position 2)
- NEC NC 900/1000 (position 3)
- ● NEC NC 32XX - series
- NEC NC 1700,
NEC NC1202L/NC 1402L
- NEC NC 3541L/2041L
- NEC NC 1201L-A
- ● NEC NC1803ML/2003ML,
NEC NC2402ML/2403ML,
NEC NC1843ML/2043ML,
NEC NC2443ML (position 1)
- ● NEC NC1803ML/2003ML,
NEC NC2402ML/2403ML,
NEC NC1843ML/2043ML,
NEC NC2443ML (position 2)

ACCESSORIES

