

# PAP-3DH

Pedestal  
3D System  
mounting

**PAP-3DH** - Bracket for projectors installed on pedestals. A universal bracket that can be mounted on any type of pedestal, in order to then install a 3D system for your movie projector on it. Easy to use, durable, reliable, covered with anti-corrosion powder paint.



## SPECIFICATIONS:

Functional	Bracket for projector pedestals for 3D system	
Weight capacity	20 kg	44 lbs
Width adjustment	260 - 560 mm	10,24" - 22,05"
Height adjustment	150 mm	5,91"
Depth adjustment	285 mm	11,22"
Dimensions (WxDxH)	694 x 333 x 505 mm	27,32" x 13,10" x 19,88"
Shipping dimensions	681 x 441 x 44 mm	26,81" x 17,36" x 1,73"
Net weight	4,68 kg	10,32 lbs
Shipping weight	6 kg	13,23 lbs
Color	Black	
Steel grade	A 283 Grade C	

## PACKAGE CONTENTS

1. Vertical bracket	2 pcs
2. Horizontal bracket	2 pcs
3. Left triangular bracket	1 pcs
4. Right triangular bracket	1 pcs
5. Vertical plate with nuts	4 pcs
6. Horizontal plate with nuts	4 pcs
7. Nut M6 DIN 934	8 pcs
8. Screw M5x16 DIN 912	16 pcs
9. Screw M6x12 DIN 912	8 pcs

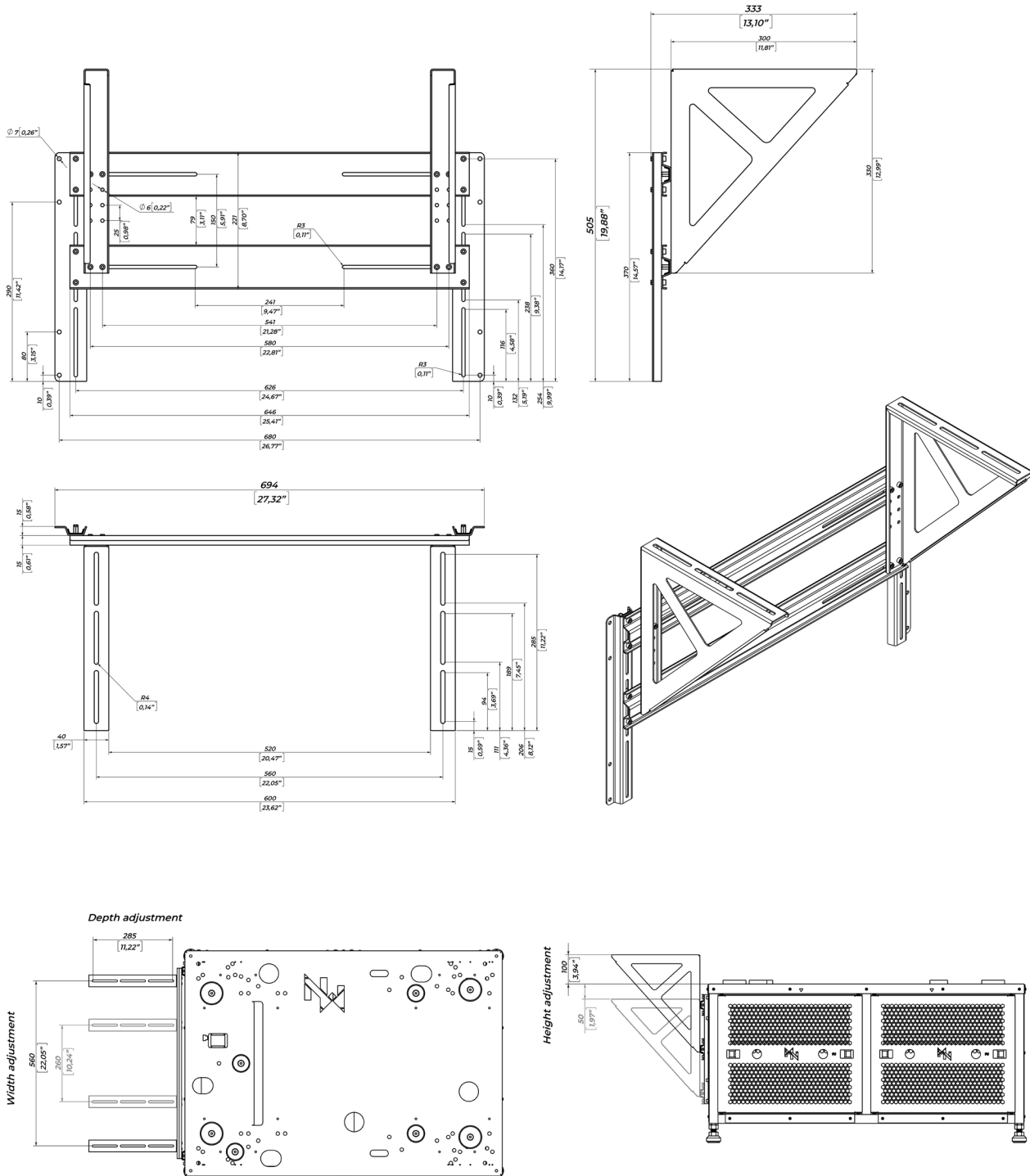
www.mnmounting.com  
info@mnmounting.com  
2 Merezhna str., Bila Tserkva,  
Kyiv region, 09100, Ukraine

EMEA & Asian region:  
+32 (0) 472 630212

USA, LATAM, Canada, Australia  
& New Zealand region:  
+1 (562) 607 7348



### Dimensions



### SAFETY INSTRUCTIONS

1. Entrust mounting equipment only to experienced professionals and strictly follow the provided safety instructions. Improperly installed equipment may result in property damage, personal injury and/or liability for the installing contractor.
2. Only use appropriate fastening hardware.
3. Always make sure to securely use and lock all mounting bolts. Loose bolts may become unscrewed over time due to vibration which will then create a safety hazard.