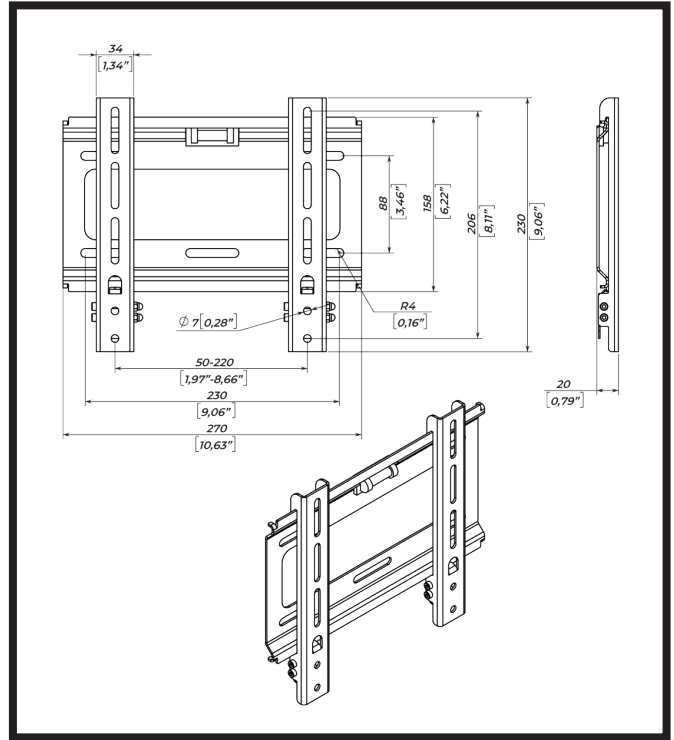


# TW-22

A fixed wall mount for LED/LCD TV

The TW-22 is a fixed wall mount for LED/LCD TV.



## SPECIFICATIONS:

|                       |                      |                        |
|-----------------------|----------------------|------------------------|
| Functions             | fixed wall mount     |                        |
| Distance from wall    | 20 mm                | 0,79"                  |
| TV sizes              | 10"-55"              |                        |
| Maximum TV weight     | 70 kg                | 154 lbs                |
| Compatible VESA sizes | 50 x 50<br>150 x 150 | 100 x 100<br>200 x 200 |
| Dimensions            | 230 x 270 x 20 mm    | 9,06" x 10,63" x 0,79" |
| Shipping dimensions   | 162 x 292 x 25 mm    | 6,38" x 11,50" x 0,98" |
| Net weight            | 0,82 kg              | 1,81 lbs               |
| Shipping weight       | 1,02 kg              | 2,22 lbs               |

## PACKAGE CONTENTS

|                           |       |
|---------------------------|-------|
| Wall panel TW-22          | 1 pcs |
| Bracket                   | 2 pcs |
| Mini level                | 1 pcs |
| Self-tapping screw 6,0x50 | 4 pcs |
| Washer                    | 4 pcs |
| Screw M4x20               | 4 pcs |
| Screw M5x20               | 4 pcs |
| Screw M6x20               | 4 pcs |
| Screw M6x40               | 4 pcs |
| Dowel 10x50               | 4 pcs |
| Plastic sleeve            | 8 pcs |

## SAFETY INSTRUCTIONS

- To ensure safety, please read this manual carefully before installation and follow the instructions. Store this manual in a secure place for future reference.
- The manufacturer shall not be legally responsible for any equipment damage or personal injury caused by incorrect installation or operation other than that covered in this manual.
- The mount is designed for easy installation and removal. The manufacturer shall not be liable for damage to equipment or personal injuries arising out of human factors or acts of nature, such as earthquake or typhoon.
- It is recommended that the mount be installed by qualified personnel only.
- At least two persons are needed to install or remove the product to avoid hazard of falling objects.
- Please carefully inspect the area where the mount is to be installed:
  - Avoid places that are subject to high temperatures, humidity or contact with water.
  - Do not install the product near air conditioning vents or areas with

excess dust and fumes.

- Only install on vertical walls and avoid slanted surfaces.
  - Do not install in places subject to any shock or vibration.
- Maintain sufficient space around the display to ensure adequate ventilation.
  - To ensure safe installation, first check the structure of the wall, ceiling or floor and select a secure mounting location.
  - The wall, ceiling or floor should be strong enough to sustain a weight of at least four times of the display and mount combined. The mounting location must be able to withstand earthquake or other strong shock.
  - Do not modify any accessories or use broken parts. Contact your dealer with any questions.
  - Tighten all screws (do not exert excessive force to avoid breaking the screw or damaging its thread).
  - Drill holes and bolts will be left in the wall, ceiling or floor once the display and bracket are removed. Stains may occur after extended use.
  - Since the manufacturer has no way to control the wall, ceiling or floor type and installation of the mount, the warranty of the product shall only cover the body of the mount.



www.izimounting.com  
info@izimounting.com  
2 Merezhna str., Bila Tserkva,  
Kyiv region, 09100, Ukraine

EMEA & Asian region:  
+32 (0) 472 630212

USA, LATAM, Canada, Australia  
& New Zealand region:  
+1 (562) 607 7348