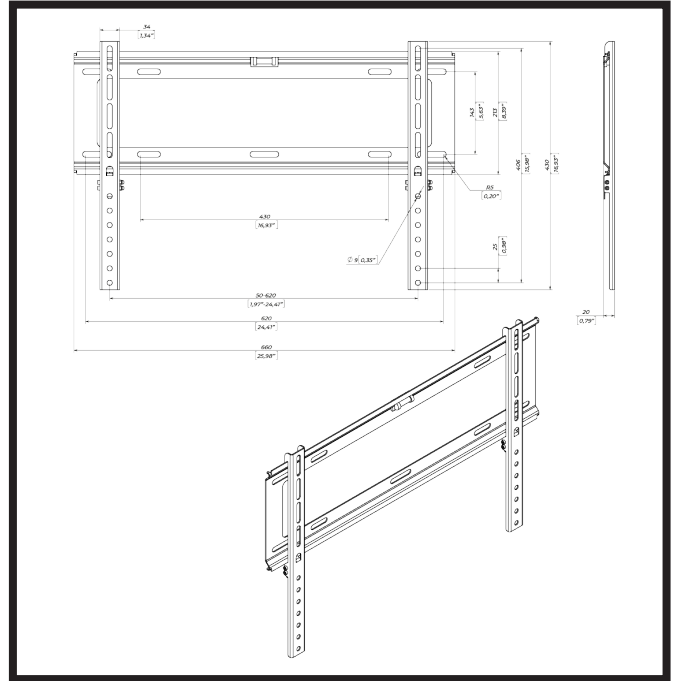


# TW-46

A fixed wall mount  
for LED/LCD TV

The TW-46 is a fixed wall mount for LED/LCD TV.



## SPECIFICATIONS:

Functions	fixed wall mount	
Distance from wall	20 mm	0,79"
TV sizes	42"-90"	
Maximum TV weight	70 kg	154 lbs
	50 x 50	300 x 300
	100 x 100	350 x 350
	150 x 150	400 x 400
Compatible VESA sizes	200 x 200	400 x 500
	250 x 250	400 x 600
	430 x 660 x 20 mm	16,93" x 25,98" x 0,79"
	220 x 682 x 25 mm	8,66" x 26,85" x 0,98"
Net weight	1,77 kg	3,90 lbs
Shipping weight	1,97 kg	4,34 lbs

## PACKAGE CONTENTS

Wall panel TW-46	1 pcs
Bracket	2 pcs
Mini level	1 pcs
Self-tapping screw 8,0x60	4 pcs
Washer 8	4 pcs
Screw M5x20	4 pcs
Screw M6x20	4 pcs
Screw M6x40	4 pcs
Screw M8x20	4 pcs
Screw M8x40	4 pcs
Dowel 12x60	4 pcs
Plastic sleeve	8 pcs

## SAFETY INSTRUCTIONS

- To ensure safety, please read this manual carefully before installation and follow the instructions. Store this manual in a secure place for future reference.
- The manufacturer shall not be legally responsible for any equipment damage or personal injury caused by incorrect installation or operation other than that covered in this manual.
- The mount is designed for easy installation and removal. The manufacturer shall not be liable for damage to equipment or personal injuries arising out of human factors or acts of nature, such as earthquake or typhoon.
- It is recommended that the mount be installed by qualified personnel only.
- At least two persons are needed to install or remove the product to avoid hazard of falling objects.
- Please carefully inspect the area where the mount is to be installed:
  - Avoid places that are subject to high temperatures, humidity or contact with water.
  - Do not install the product near air conditioning vents or areas with

excess dust and fumes.

- Only install on vertical walls and avoid slanted surfaces.
  - Do not install in places subject to any shock or vibration.
- Maintain sufficient space around the display to ensure adequate ventilation.
  - To ensure safe installation, first check the structure of the wall, ceiling or floor and select a secure mounting location.
  - The wall, ceiling or floor should be strong enough to sustain a weight of at least four times of the display and mount combined. The mounting location must be able to withstand earthquake or other strong shock.
  - Do not modify any accessories or use broken parts. Contact your dealer with any questions.
  - Tighten all screws (do not exert excessive force to avoid breaking the screw or damaging its thread).
  - Drill holes and bolts will be left in the wall, ceiling or floor once the display and bracket are removed. Stains may occur after extended use.
  - Since the manufacturer has no way to control the wall, ceiling or floor type and installation of the mount, the warranty of the product shall only cover the body of the mount.



www.izimounting.com  
info@izimounting.com  
2 Merezhna str., Bila Tserkva,  
Kyiv region, 09100, Ukraine

EMEA & Asian region:  
+32 (0) 472 630212

USA, LATAM, Canada, Australia  
& New Zealand region:  
+1 (562) 607 7348