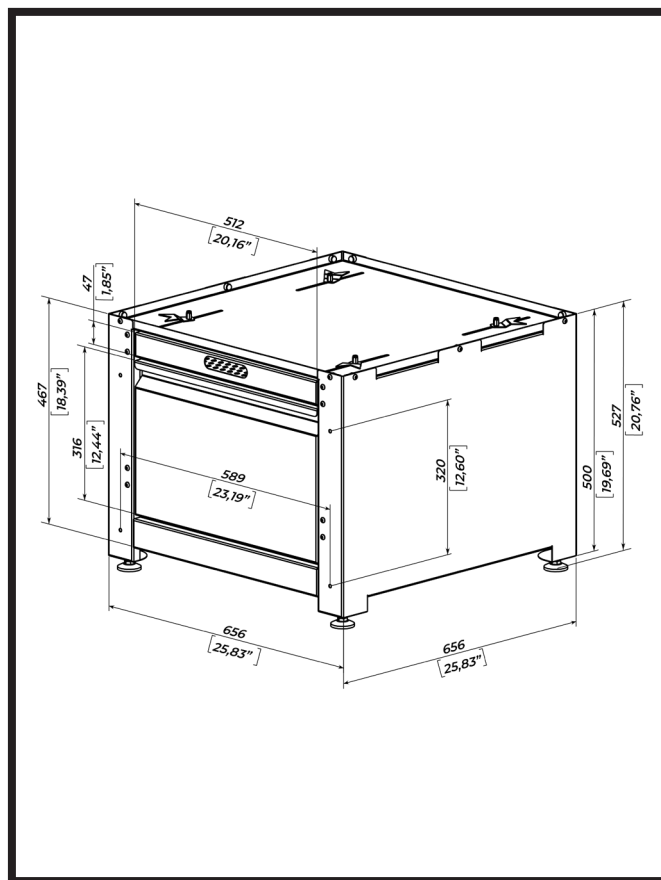


# Rack WP-3

## Washing machine rack WP-3 with two drawers



### SPECIFICATIONS:

Functions	Washing machine rack	
Number of drawers	2 drawers	
Maximum dimensions capacity	628 x 628 x 900 mm	24,72" x 24,72" x 35,43"
Maximum capacity weight	100 kg	220 lbs
Dimensions Top drawer	635 x 512 x 47 mm	25,00" x 20,16" x 1,85"
Dimensions Bottom drawer	635 x 512 x 316 mm	25,00" x 20,16" x 12,44"
Maximum weight per drawers	30 kg	66 lbs
Dimensions	656 x 656 x 527 mm	25,83" x 25,83" x 20,76"
Shipping dimensions	676 x 676 x 216 mm	26,61" x 26,61" x 8,50"
Net weight	28,4 kg	62,6 lbs
Shipping weight	31,2 kg	68,78 lbs

### PACKAGE CONTENTS

WP-3	1 pcs
Leg clamp	4 pcs
Rubber feet	4 pcs
Leg M10 x 30	4 pcs
Hex key 2,5	1 pcs
Hex key 4	1 pcs
Wrench 10	1 pcs
Dowel 10x50	4 pcs
Washer	4 pcs
Plastic sleeve	4 pcs
Screw 6,0x50	4 pcs

### SAFETY INSTRUCTIONS

1. Entrust mounting equipment only to experienced professionals and strictly follow the provided safety instructions. Improperly installed equipment may result in property damage, personal injury and/or liability for the installing contractor.
2. Only use appropriate fastening hardware.
3. Always make sure to securely use and lock all mounting bolts. Loose bolts may become unscrewed over time due to vibration which will then create a safety hazard.