

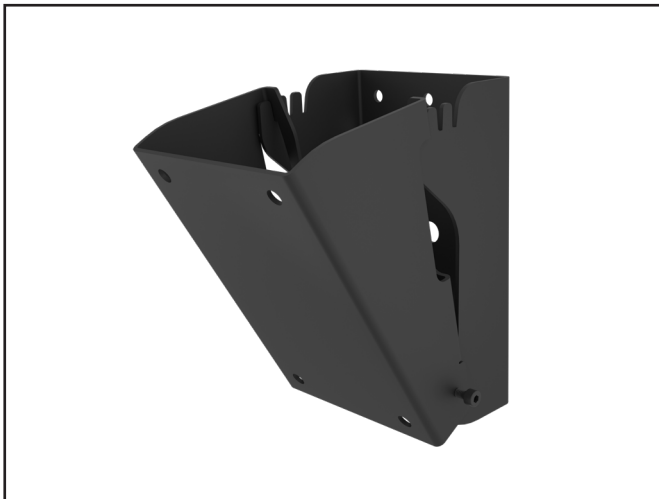
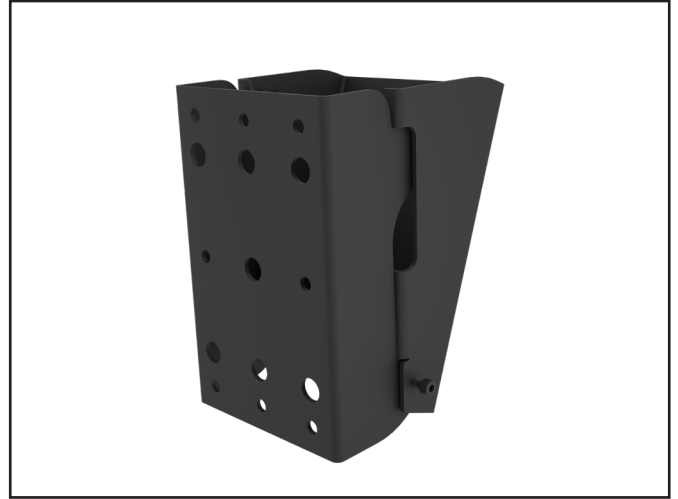
WMT-83J

Wall Mount Adapter

100 lbs (45 kg) max load

The WMT-83J is a compact and low profile indoor speaker wall mount. It's providing various distance from solid wall to cut through acoustic treatment. This bracket supports loudspeakers weighing up to 45 kg (100 lbs.) and comes with a design factor of 7:1. The WMT-83J has its own tilt angle 20°, 25°, 30°.

Its speaker & wall mount plate are installed separately and coupled very easily by just one person.



SPECIFICATIONS:

Functions	Wall mounting adapter Three static tilt angles	
Wall mounting plate	150x93 mm	5,91" x 3,66"
Tilt angle	20°, 25°, 30°	
Load limit	45 kg	100 lbs
Design factor	7:1 ratio	
Dimensions	111 x 114 x 150 mm	4,37" x 4,49" x 5,91"
Shipping dimensions	192 x 118 x 176 mm	7,56" x 4,65" x 6,93"
Net weight	0,88 kg	1,94 lbs
Shipping weight (2 pcs per box)	2,10 kg	4,63 lbs

COMPABILITY:

Compatible JBL speakers:	8320, 8340 A, 8350
--------------------------	--------------------

www.mnmounting.com
info@mnmounting.com
2 Merezhna str., Bila Tserkva,
Kyiv region, 09100, Ukraine

EMEA & Asian region:
+32 (0) 472 630212
USA, LATAM, Canada, Australia
& New Zealand region:
+1 (562) 607 7348



WMT-83J

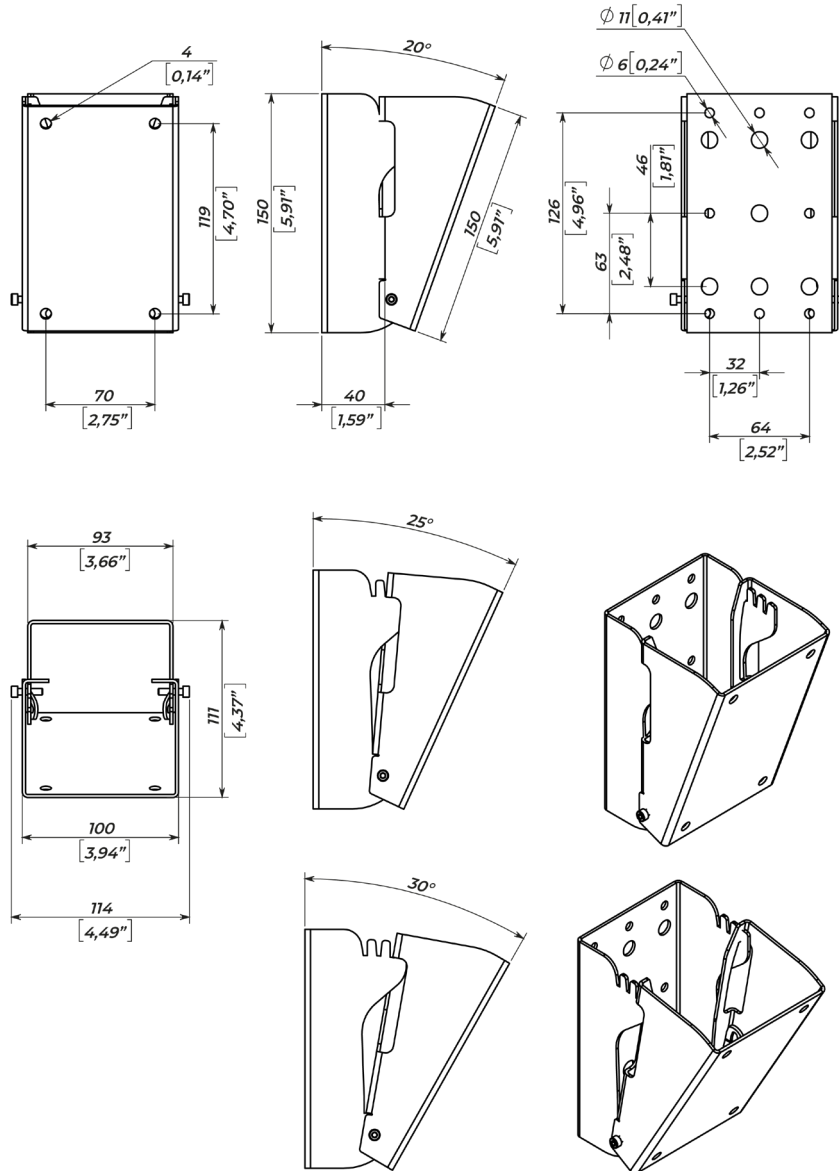
Wall Mount Adapter

100 lbs (45 kg) max load

PACKAGE CONTENTS

1. WMT-83J wall mounting - 2 pcs
2. Hex key 3 - 1 pcs
3. Installation manual - 1 pcs

Dimensions



SAFETY INSTRUCTIONS

1. Entrust mounting equipment only to experienced professionals and strictly follow the provided safety instructions. Improperly installed equipment may result in property damage, personal injury and/or liability for the installing contractor.
2. **Always use safety cables!** This will prevent equipment from falling during setup or while exploitation.
3. Always carefully check the mounting surface of the wall. Make sure the wall or ceiling structure allows to hold the weight of the speaker including its bracket.
4. Only use appropriate fastening hardware.
5. Always make sure to securely use and lock all mounting bolts. Loose bolts may become unscrewed over time due to vibration which will then create a safety hazard.

www.mnmounting.com
info@mnmounting.com
2 Merezhna str., Bila Tserkva,
Kyiv region, 09100, Ukraine

EMEA & Asian region:
+32 (0) 472 630212
USA, LATAM, Canada, Australia
& New Zealand region:
+1 (562) 607 7348

