

# WMT-C150

## Wall Mount Adapter

100 lbs (45 kg) max load

VESA 75x75 / 100x100 / 5"x2,75"

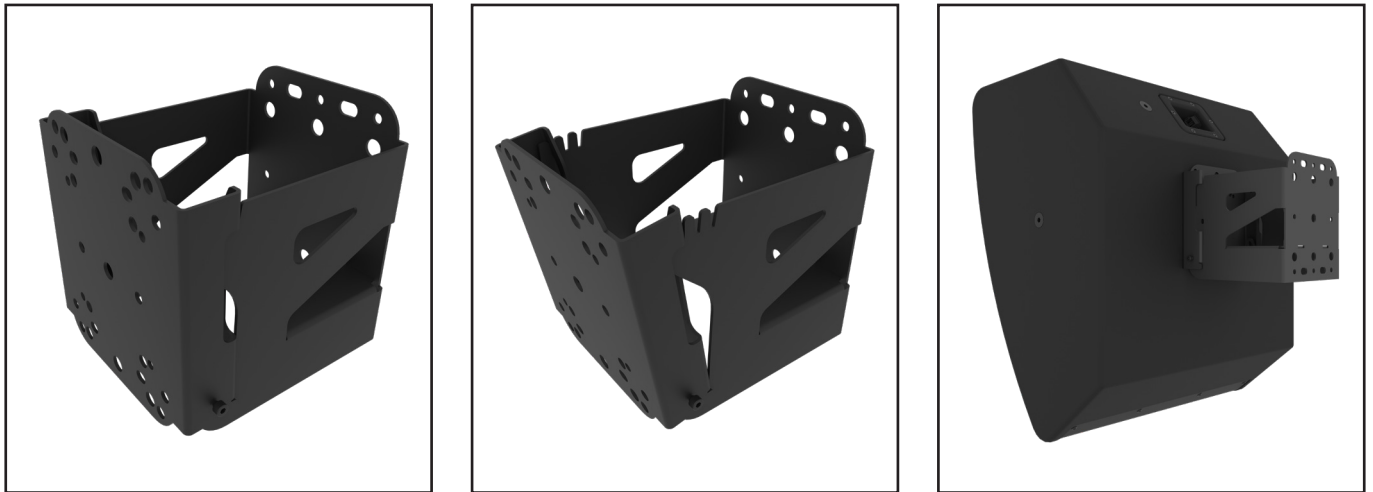
The WMT-C150 is a compact and low profile indoor speaker wall mount. It's providing various distance from solid wall to cut through acoustic treatment.

This bracket supports loudspeakers weighing up to 45 kg (100 lbs.) and comes with a design factor of 7:1.

Its speaker & wall mount plate are installed separately and coupled very easily by just one person.

The WMT-C150 mount fits all loudspeakers that are foreseen from a universal mounting patterns (5" x 2,75", 4,25" x 2", VESA 75x75 and 100x100).

The WMT-C150 has three static vertical tilt angles: 0°; 5°; 10°.



### SPECIFICATIONS:

Functions	Wall mounting adapter Three static tilt angles	
Mounting holes	4x dia 8,2 mm (dia 0.32") (5" x 2,75" pattern)	
	4x dia 8,2 mm (dia 0.32") (4,25" x 2" pattern)	
	VESA 75x75 / VESA 100x100	
Wall mounting plate	150x131 mm	5,91" x 5,16"
Tilt angle	0°; 5°; 10°	
Load limit	45 kg	100 lbs
Design factor	7:1 ratio	
Dimensions	150 x 138 x 150 mm	5,91" x 5,43" x 5,91"
Shipping dimensions	315 x 165 x 165 mm	12,40" x 6,50" x 6,50"
Net weight	1,19 kg	2,62 lbs
Shipping weight (2 pcs per box)	2,68 kg	5,91 lbs

### COMPABILITY:

Compatible MAG Cinema speakers:	SUR-63, SUR-83, SUR-103, SUR-123, SUR-153, SUR-153H, SUR-408, SUR-410, SUR-420.
Compatible JBL speakers:	8102, 9350, 9300, 9310, 9320, AC195, AC266, AC299, AC566, AC599, AC895
Compatible QSC speakers:	SR-800, SR-1000, SR-1020, SR-1030, SR-1290, SR-1590, SR-8101, SR-8200
Compatible Dolby speakers:	CS1090, CS1290S, CS1290C, 114RT-I-PXO, 8290V2; DSR-1090, DSR-1260, DSR-1280
Compatible Klipsch speakers:	KPT-250, KPT-1201, KPT-1200M, KPT-1260 H, KPT-8001
Compatible Vive Audio Christie speakers:	LS1S, LS2S, LS5S, LA3Si, LS2C, LA4S, LA3C, LA4C
Compatible Alcons speakers:	CCS8, CCS8S, CCS12, CRS12/9040, CRS12/9090, CRS12GT/60, CRS12GT/90
Compatible Meyer Sound speakers:	HMS-5, HMS-10, HMS-10 EASE, HMS-12, HMS-15, HMS-15AC, Ultra-X20/22/23, Ultra-X40/42
Compatible Krix speakers:	KX-1152, KX-1155, KX-1470, KX-1570, KX-1570F, KX-1840, KX-1870, KX-1870F, KX-1875

www.mnmounting.com  
info@mnmounting.com  
2 Merezhna str., Bila Tserkva,  
Kyiv region, 09100, Ukraine

EMEA & Asian region:  
+32 (0) 472 630212

USA, LATAM, Canada, Australia  
& New Zealand region:  
+1 (562) 607 7348



# WMT-C150

## Wall Mount Adapter

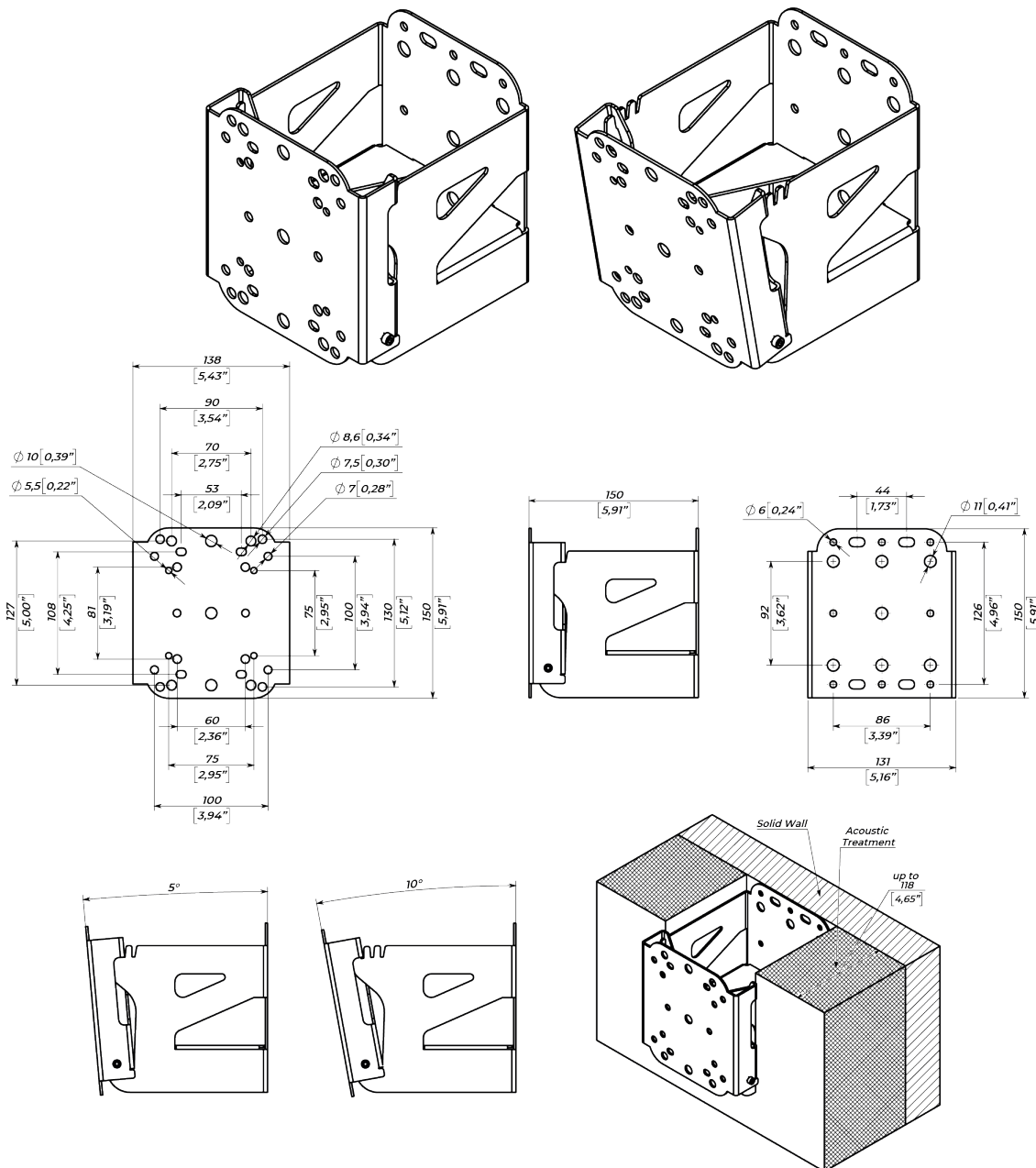
100 lbs (45 kg) max load

VESA 75x75 / 100x100 / 5"x2,75"

### PACKAGE CONTENTS

- |                            |       |
|----------------------------|-------|
| 1. WMT-150 wall mounting - | 2 pcs |
| 2. Hex key 3 -             | 1 pcs |
| 3. Installation manual -   | 1 pcs |

### Dimensions



### SAFETY INSTRUCTIONS

1. Entrust mounting equipment only to experienced professionals and strictly follow the provided safety instructions. Improperly installed equipment may result in property damage, personal injury and/or liability for the installing contractor.
2. **Always use safety cables!** This will prevent equipment from falling during setup or while exploitation.
3. Always carefully check the mounting surface of the wall. Make sure the wall or ceiling structure allows to hold the weight of the speaker including its bracket.
4. Only use appropriate fastening hardware.
5. Always make sure to securely use and lock all mounting bolts. Loose bolts may become unscrewed over time due to vibration which will then create a safety hazard.

www.mnmounting.com  
info@mnmounting.com  
2 Merezhna str., Bila Tserkva,  
Kyiv region, 09100, Ukraine

EMEA & Asian region:  
+32 (0) 472 630212  
USA, LATAM, Canada, Australia  
& New Zealand region:  
+1 (562) 607 7348

