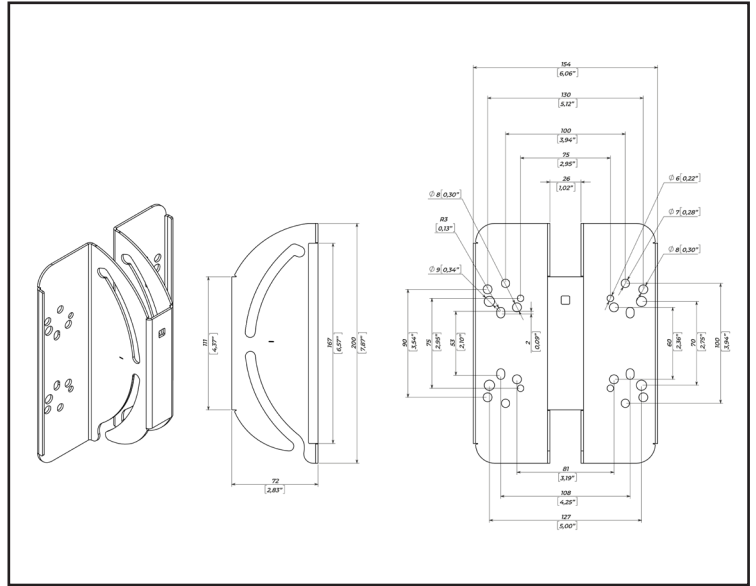


WRM-HP300

Adapter Plate for
WRM-250 and WRM-300

The WRM-HP300 is an adapter WRM-250 and WRM-300 for horizontal speaker installation.
With a large number of mounting holes.



SPECIFICATIONS:

Functions	Adapter Plate	
Mounting holes	4x dia 8,2 mm (dia 0.32") (5" x 2,75" pattern), 4x dia 8,2 mm (dia 0.32") (4,25" x 2" pattern) VESA 75x75 / VESA 100x100	
Tilt angle	+20° ... -25°	
Load limit	45 kg	100 lbs
Design factor	7:1 ratio	
Dimensions	72 x 154 x 200 mm	2,83" x 6,06" x 7,87"
Shipping dimensions	90 x 200 x 210 mm	3,54" x 7,87" x 8,27"
Net weight	0,8 kg	1,76 lbs
Shipping weight (2 pcs per box)	1,8 kg	3,97 lbs

PACKAGE CONTENTS

WRM-HP300 - 2 pcs

OPTIONAL ACCESSORIES

WRM-250; WRM-300.

COMPABILITY:

Compatible MAG Cinema speakers:	SUR-63, SUR-83, SUR-103, SUR-123, SUR-153, SUR-153H, SUR-408, SUR-410, SUR-420.
Compatible JBL speakers:	8102, 9350, 9300, 9310, 9320, AC195, AC266, AC299, AC566, AC599, AC895
Compatible QSC speakers:	SR-800, SR-1000, SR-1020, SR-1030, SR-1290, SR-1590, SR-8101, SR-8200, SR-5152
Compatible Dolby speakers:	CS1090, CS1290S, CS1290C, 114RT-I-PXO, 8290V2; DSR-1090, DSR-1260, DSR-1280
Compatible Klipsch speakers:	KPT-250, KPT-1201, KPT-1200M, KPT-1260 H, KPT-8001
Compatible Vive Audio Christie speakers:	LS1S, LS2S, LS5S, LA3Si, LS2C, LA4S, LA3C, LA4C
Compatible Alcons speakers:	CCS8, CCS8S, CCS12, CRS12/9040, CRS12/9090, CRS12GT/60, CRS12GT/90
Compatible Meyer Sound speakers:	HMS-5, HMS-10, HMS-10 EASE, HMS-12, HMS-15, HMS-15AC, Ultra-X20/22/23, Ultra-X40/42
Compatible Krix speakers:	KX-1152, KX-1155, KX-1470, KX-1570, KX-1570F, KX-1840, KX-1870, KX-1870F, KX-1875

SAFETY INSTRUCTIONS

1. Entrust mounting equipment only to experienced professionals and strictly follow the provided safety instructions. Improperly installed equipment may result in property damage, personal injury and/or liability for the installing contractor.

2. **Always use safety cables!** This will prevent equipment from falling during setup or while exploitation.

3. Always carefully check the mounting surface of the wall. Make sure the wall or ceiling structure allows to hold the weight of the speaker including its bracket.

4. Only use appropriate fastening hardware.

5. Always make sure to securely use and lock all mounting bolts. Loose bolts may become unscrewed over time due to vibration which will then create a safety hazard.

www.mnmounting.com
info@mnmounting.com
2 Merezhna str., Bila Tserkva,
Kyiv region, 09100, Ukraine

EMEA & Asian region:
+32 (0) 472 630212

USA, LATAM, Canada, Australia
& New Zealand region:
+1 (562) 607 7348

